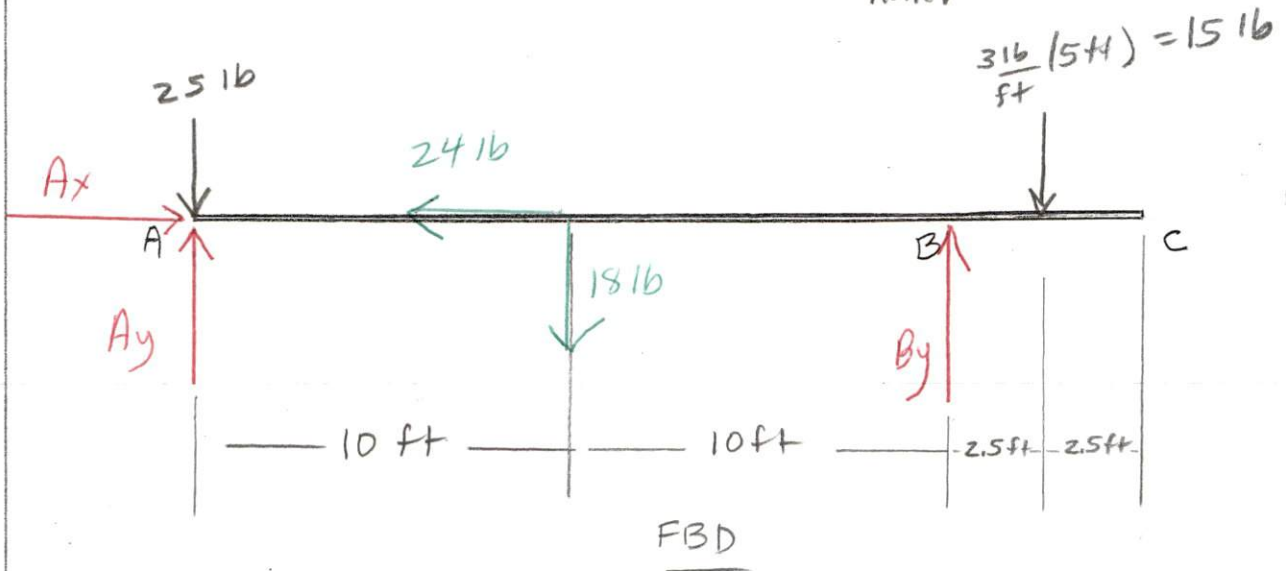
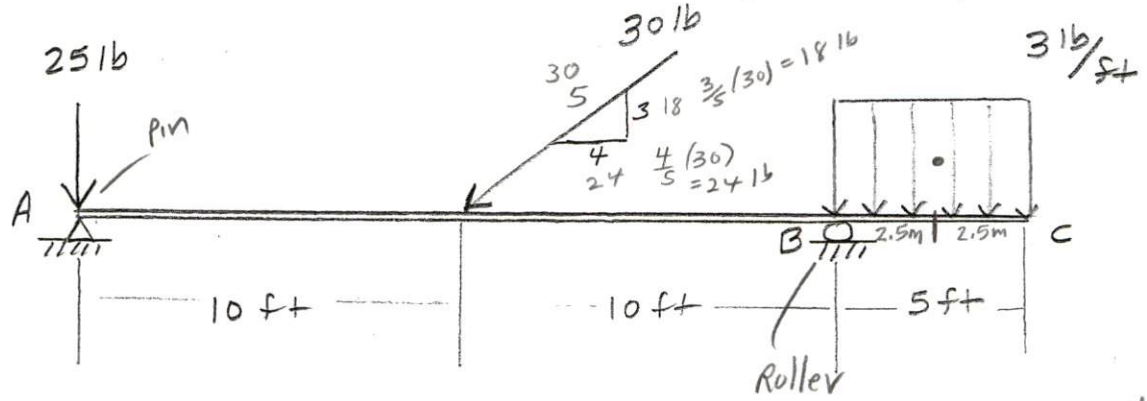


Show all work for full credit

Name Solution

1. Sketch the free body diagram for the beam. Replace the uniform load with the equivalent concentrated force and the 30 lb load with its rectangular components.



2. Sketch the FBD for the concurrent coplanar force system shown.

