

Show all work for full credit

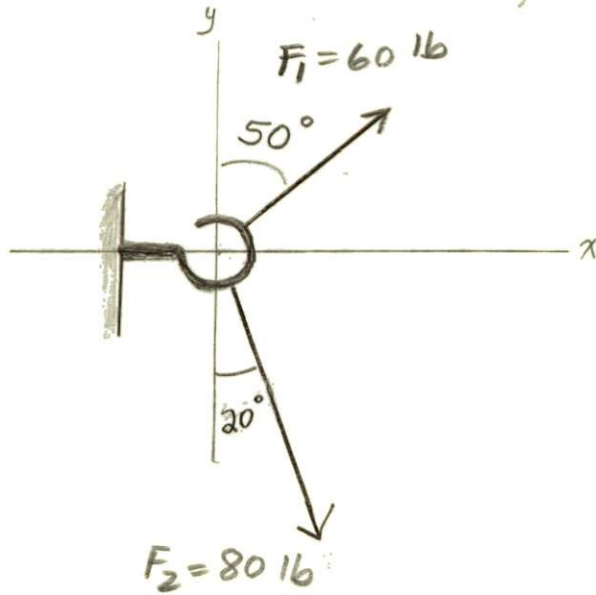
All angles are to be measured ccw from the +x-axis

All vector answers are to be positive scalar, true direction

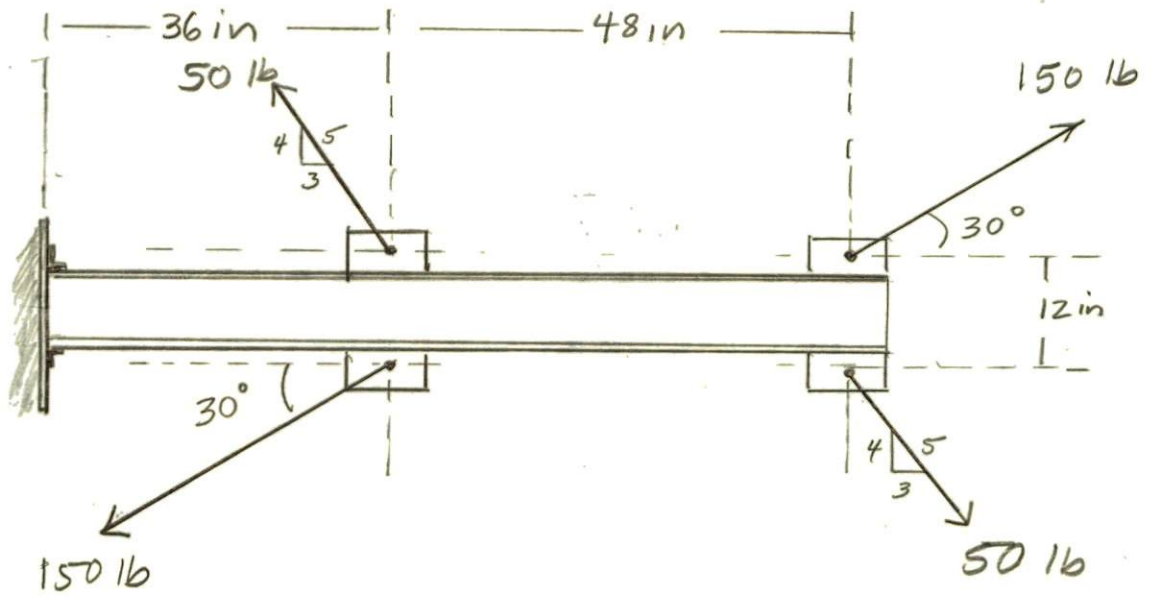
One page of notes, Front & Back, Hand written by You  
Algebra & Trig cheat sheets

Name \_\_\_\_\_

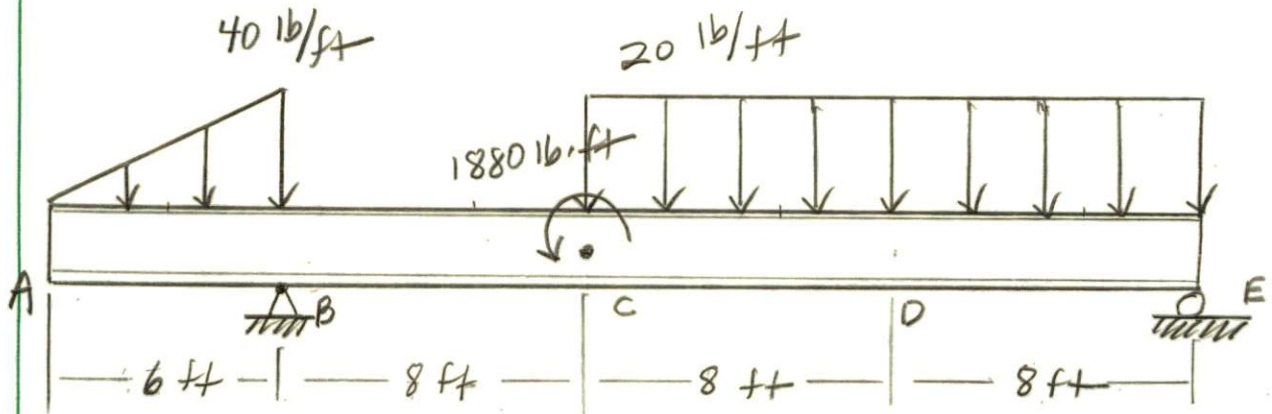
1. Determine the magnitude of the resultant force and its direction for the forces acting on the hook using the parallelogram Law OR Triangle Rule.



2. Determine the moment couple for the forces acting on the cantilever beam.



3. A simply supported beam supports the applied loads and moments as shown. Determine the reactions at the supports.



Solution.



FBD

Equilibrium Equations

4. Determine the tension in each cable using the Force Triangle method.

