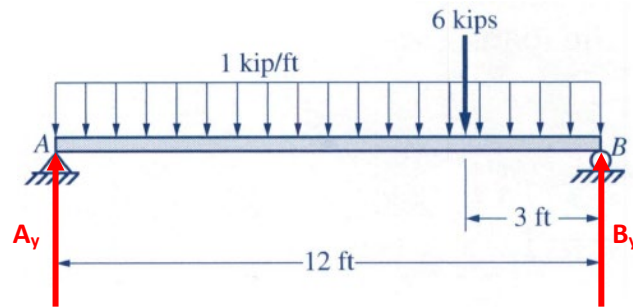


SHOW ALL WORK FOR FULL CREDIT. DO YOUR OWN WORK.

Name: \_\_\_\_\_

1. Find the reactions at the supports A and B, the maximum shear force, and the maximum bending moment in the beam due to the loading shown using the formulas in Table 13-1.



Solution.