



presents

For price/availability information or to place an order for any item shown, please call toll-free:  
**1-800-292-0179**  
 Monday through Friday,  
 8:00 AM - 5:00 PM CST (GMT-6).

# STEEL SWITCH BOXES BY



*We can supply any item from Hubbell-Raco's extensive product catalog. If you don't find it here, please give us a call at 1-800-292-0179.*

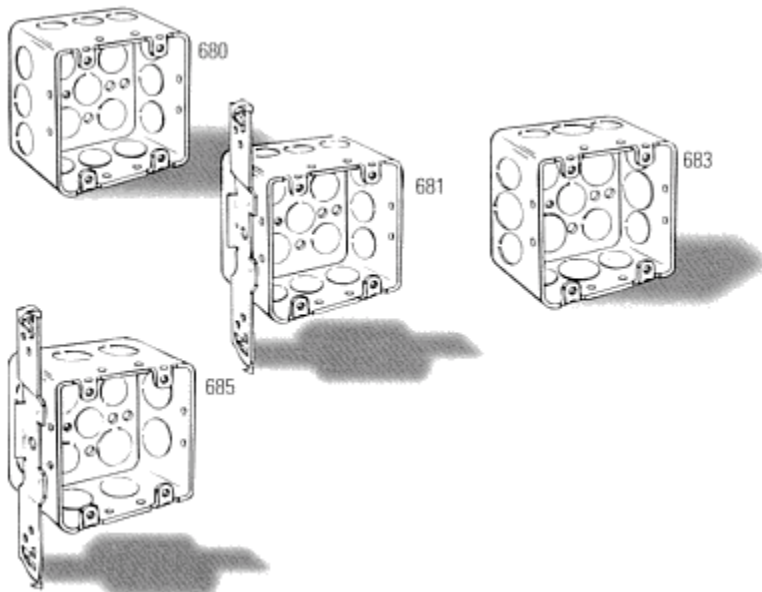
PAGE [1](#) [2](#) [3](#) [4](#) [PREVIOUS](#) [NEXT](#)

## SWITCH BOXES TWO-GANG, MULTI-GANG

### SWITCH BOXES

**2 1/8" DEEP  
TWO-DEVICE BOXES  
4" SQUARE WITH  
CONDUIT KO's  
30.3 CUBIC INCHES**

RACO NO.	DESCRIPTION BRACKET & SETBACK	KNOCKOUTS		STD. PKG.
		SIDES COND.	BOTTOM COND.	
680		12 - 1/2"	5 - 1/2"	25
683		8-1/2", 4-3/4"	3-1/2", 2-3/4"	25
681	TS brkt, 1/2"	9 - 1/2"	5 - 1/2"	25
685	TS brkt, 1/2"	6 - 3/4"	3-1/2", 2-3/4"	25



### APPLICATIONS:

#### MULTI-GANG SWITCH BOXES

- Installers can save time and cut installation costs with multi-gang switch boxes. These larger capacity boxes are ideal for today's designs where there is a need to install two or more devices at one location.

### PRODUCT FEATURES:

#### MULTI-GANG SWITCH BOXES

- Mount on metal or wood studs.
- No plaster ring needed.
- No far-side support needed for wood studs.
- Bracketed boxes are set back 1/2 inch, eliminating the need for a plaster ring - meaning additional savings!

### COMPLIANCES

[Click here](#) for complete information on UL and other compliances that apply to these products.

### MULTI-GANG SWITCH BOXES

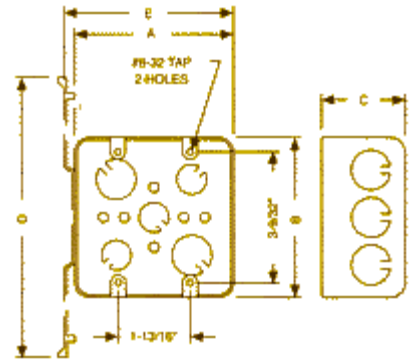
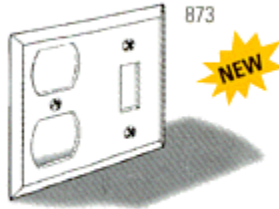
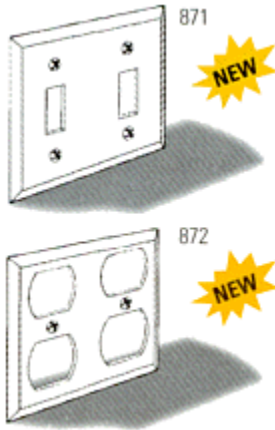
**TWO-DEVICE BOX COVERS** RACO

STD.

**4" SQUARE**



NO.	DESCRIPTION	PKG.
871	2 Toggle switches	25
872	2 Duplex receptacles	25
873	1 Dup. & 1 toggle switch	25

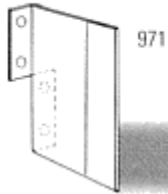
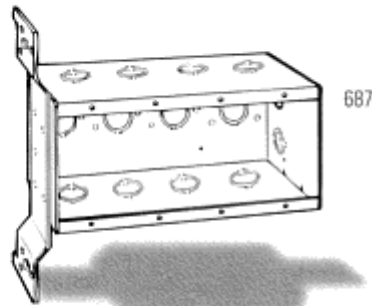
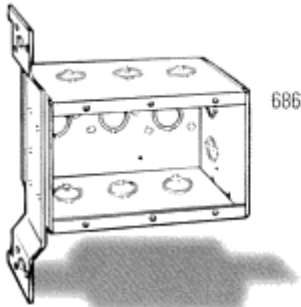


RACO NO.	A	B	C	D	E
680	4"	4"	2-1/8"	--	--
683	4"	4"	2-1/8"	--	--
681	4"	4"	2-1/8"	7"	4-9/32"
685	4"	4"	2-1/8"	7"	4-9/32"
686	5-9/16"	3-3/4"	2-1/2"	7-5/8"	5-31/32"
687	7-3/8"	3-3/4"	2-1/2"	7-5/8"	7-25/32"

**SWITCH BOXES**

**2 1/2" DEEP  
MULTI-DEVICE BOXES  
WITH CONDUIT KO'S  
7.5 CUBIC INCHES**

RACO NO.	NO. OF GANGS	WIDTH	KNOCKOUTS			CU. IN.	STD. PKG.
			TOP	BOTTOM	BACK		
686	3	5-19/32"	6	2	3	47.8	10
687	4	7-19/32"	8	2	4	63.5	10
971	Low voltage partition						25



RACO SWITCH BOXES PAGE [1](#) [2](#) [3](#) [4](#) [PREVIOUS](#) [NEXT](#)

[TOP OF PAGE](#) [BACK TO RACO STEEL BOXES](#)  
[CLICK HERE](#) OR USE YOUR BROWSER'S "BACK" BUTTON TO GO BACK  
 TO THE PAGE THAT REFERRED YOU HERE.

Information and specifications displayed on this site are subject to change without notice.

© 2001, [Cape Electrical Supply, Inc.](#)

The product images and information and Hubbell and Raco logos on this page were copied with permission from the Hubbell-Raco Electrical Products Catalog R-198 © [Hubbell Incorporated \(Delaware\)](#).

