



presents

For price/availability information or to place an order for any item shown, please call toll-free:
1-800-292-0179
 Monday through Friday,
 8:00 AM - 5:00 PM CST (GMT-6).

STEEL SWITCH BOXES BY

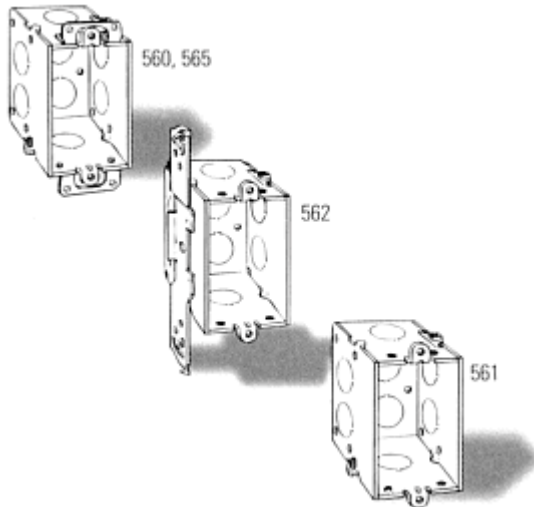


We can supply any item from Hubbell-Raco's extensive product catalog. If you don't find it here, please give us a call at 1-800-292-0179.

PAGE [1](#) [2](#) [3](#) [4](#) [PREVIOUS](#)

SWITCH BOXES 2-3/4" DEEP - GANGABLE

SWITCH BOXES
2³/₄" DEEP
GANGABLE
WITH CONDUIT KO's
14.0 CUBIC INCHES



RACO NO.	DESCRIPTION BRACKET & SETBACK	KNOCKOUTS			STD. PKG.
		SIDES	ENDS	BOTTOM	
560	Ears	4 - 1/2"	2 - 1/2"	2 - 1/2"	50
8560	Ears ■■■■	4 - 1/2"	2 - 1/2"	2 - 1/2"	50
565	Ears	4 - 1/2"	2 - 3/4"	2 - 1/2"	50
561		4 - 1/2"	2 - 1/2"	2 - 1/2"	50
562	TS brkt., 1/2"	2 - 1/2"	2 - 1/2"	2 - 1/2"	50

APPLICATIONS: STEEL SWITCH BOXES

- Wiring method may be conduit or cable connector.

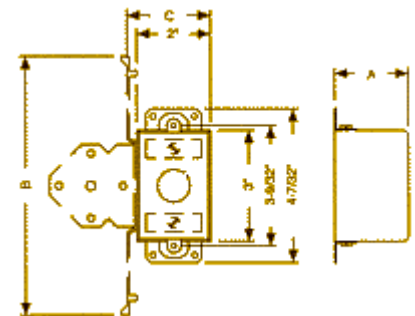
PRODUCT FEATURES: STEEL SWITCH BOXES

- Gangable switch boxes offer the option of constructing a box to hold two or more devices.
- Bracket boxes provide fast and accurate means of mounting the box to wood or metal studs.
- Plaster ears allow the box to be used in "old work" applications.

COMPLIANCES

[Click here](#) for complete information on UL and other compliances that apply to these products.

STEEL SWITCH BOXES



RACO NO.	A	B	C
560	2-3/4"	--	--
565	2-3/4"	--	--

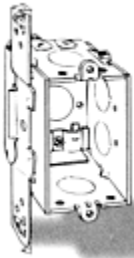
SWITCH BOXES
2³/₄" DEEP
GANGABLE - WITH
NONMETALLIC SHEATHED
CABLE CLAMPS

RACO NO.	DESCRIPTION BRACKET & SETBACK	KNOCKOUTS			STD. PKG.	
		SIDES COND.	ENDS CABLE COND.	BOTTOM COND.		
567	Ears ■■■■	4 - 1/2"	4	2 - 1/2"	1 - 1/2"	50
564	TS brkt, 1/2" ■■■■	2 - 1/2"	4	2 - 1/2"	1 - 1/2"	50

14.0 CUBIC INCHES



564



567



562	2-3/4"	7-5/32"	2-5/16"
561	2-3/4"	--	--
567	2-3/4"	--	--
564	2-3/4"	7-5/32"	2-5/16"
570	2-3/4"	--	--
574	2-3/4"	7-5/32"	2-5/16"

SWITCH BOXES

2³/₄" DEEP

GANGABLE - WITH ARMORED CABLE/METAL CLAD/FLEX CLAMPS

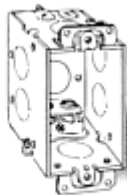
14.0 CUBIC INCHES



574



570



RACO NO.	DESCRIPTION BRACKET & SETBACK	KNOCKOUTS				STD. PKG.
		SIDES COND.	CABLE	ENDS COND.	BOTTOM COND.	
570	Ears	4 - 1/2"	4	2 - 1/2"	1 - 1/2"	50
574	TS brkt, 1/2"	2 - 1/2"	4	2 - 1/2"	1 - 1/2"	50

SWITCH BOXES

3-1/2" DEEP - GANGABLE

SWITCH BOXES

3¹/₂" DEEP

GANGABLE WITH CONDUIT KO's

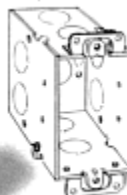
18.0 CUBIC INCHES



592



590, 591



RACO NO.	DESCRIPTION BRACKET & SETBACK	KNOCKOUTS			STD. PKG.
		SIDES COND.	ENDS COND.	BOTTOM COND.	
590	Ears	4 - 1/2"	4 - 1/2"	1 - 1/2"	50
8590	Ears	4 - 1/2"	4 - 1/2"	1 - 1/2"	50
591	Ears	4 - 1/2"	4 - 1/2"	1 - 1/2"	50
592		4 - 1/2"	4 - 1/2"	1 - 1/2"	50

**APPLICATIONS:
STEEL SWITCH BOXES**

- Wiring method may be conduit or cable connector.

**PRODUCT FEATURES:
STEEL SWITCH BOXES**

- Gangable switch boxes offer the option of constructing a box to hold two or more devices.
- Bracket boxes provide fast and accurate means of mounting the box to wood or metal studs.
- Plaster ears allow the box to be used in "old work" applications.

COMPLIANCES

[Click here](#) for complete information on UL and other compliances that apply to these products.

STEEL SWITCH BOXES

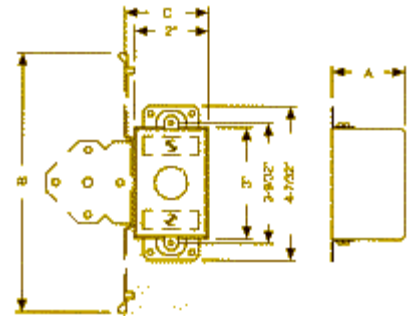
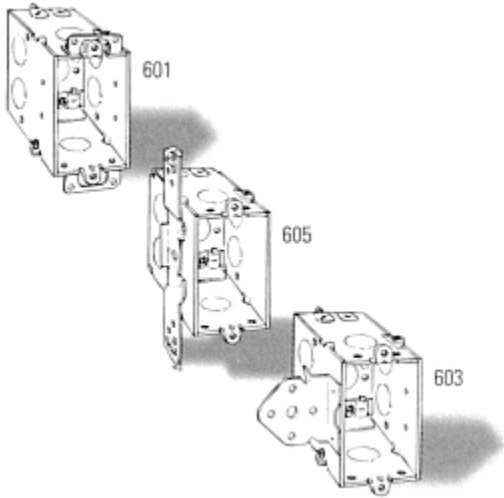
SWITCH BOXES

3¹/₂" DEEP

GANGABLE - WITH NONMETALLIC SHEATHED CABLE CLAMPS

RACO NO.	DESCRIPTION BRACKET & SETBACK	KNOCKOUTS				STD. PKG.
		SIDES COND.	CABLE	ENDS COND.	BOTTOM COND.	
601	Ears	4 - 1/2"	4	2 - 1/2"	1 - 1/2"	25
8601	Ears	4 - 1/2"	4	2 - 1/2"	1 - 1/2"	25
605	TS brkt, 1/2"	4 - 1/2"	4	2 - 1/2"	1 - 1/2"	25
603	B brkt, 5/8"	4 - 1/2"	4	2 - 1/2"	1 - 1/2"	25

18.0 CUBIC INCHES

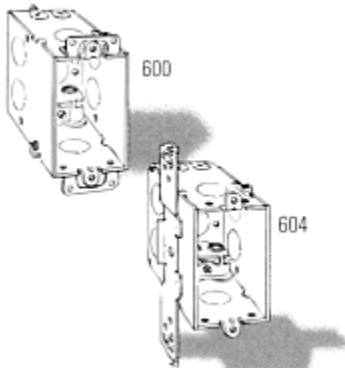


RACO NO.	A	B	C
590	3-1/2"	--	--
591	3-1/2"	--	--
592	3-1/2"	--	--
601	3-1/2"	--	--
605	3-1/2"	7-5/32"	2-5/16"
603	3-1/2"	1-31/32"	4"
600	3-1/2"	--	--
604	3-1/2"	7-5/32"	2-5/16"

SWITCH BOXES

**3 1/2" DEEP
GANGABLE - WITH
ARMORED CABLE/METAL
CLAD/FLEX CLAMPS
18.0 CUBIC INCHES**

RACO NO.	DESCRIPTION BRACKET & SETBACK	KNOCKOUTS				
		SIDES COND.	CABLE COND.	ENDS COND.	BOTTOM COND.	STD. PKG.
600	Ears	4 - 1/2"	4	2 - 1/2"	1 - 1/2"	25
604	TS brkt, 1/2"	4 - 1/2"	4	2 - 1/2"	1 - 1/2"	25
8604	TS brkt, 1/2" ■■■■	4 - 1/2"	4	2 - 1/2"	1 - 1/2"	25



RACO SWITCH BOXES PAGE [1](#) [2](#) [3](#) [4](#) [PREVIOUS](#)

[TOP OF PAGE](#) [BACK TO RACO STEEL BOXES](#)
[CLICK HERE](#) OR USE YOUR BROWSER'S "BACK" BUTTON TO GO BACK
 TO THE PAGE THAT REFERRED YOU HERE.

Information and specifications displayed on this site are subject to change without notice.

© 2001, [Cape Electrical Supply, Inc.](#)

The product images and information and Hubbell and Raco logos on this page were copied with permission from the
 Hubbell-Raco Electrical Products Catalog R-198 © [Hubbell Incorporated \(Delaware\)](#).

