



presents

For price/availability information or to place an order for any item shown, please call toll-free:  
**1-800-292-0179**  
 Monday through Friday,  
 8:00 AM - 5:00 PM CST (GMT-6).

# STEEL SWITCH BOXES BY



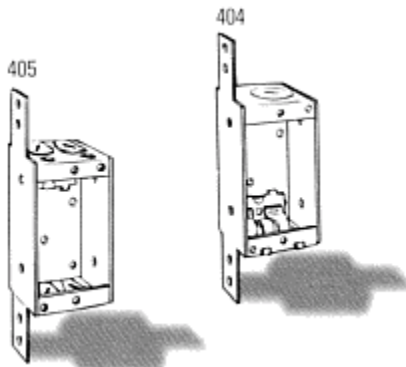
*We can supply any item from Hubbell-Raco's extensive product catalog. If you don't find it here, please give us a call at 1-800-292-0179.*

PAGE 1 2 3 4 NEXT

## SWITCH BOXES SINGLE-GANG

**3<sup>3</sup>/<sub>4</sub>" x 2" SWITCH BOXES  
1" DEEP  
NONGANGABLE WITH  
NONMETALLIC SHEATHED  
CABLE CLAMPS  
6.5 CUBIC INCHES**

RACO NO.	DESCRIPTION BRACKET & SETBACK	KNOCKOUTS				STD. PKG.
		SIDES COND.	CABLE COND.	ENDS COND.	BOTTOM COND.	
404	Q clamp	2	1 - 1/2"			25
405	Q clamp	4				25



### APPLICATIONS: STEEL SWITCH BOXES

- Shallow switch boxes are made for use with furring strips and 1/4" paneling.
- Wiring method may be nonmetallic sheathed cable or conduit.

### PRODUCT FEATURES: STEEL SWITCH BOXES

- Shallow boxes have a "D" bracket that is scored, so it may be broken off if needed.
- One-inch deep switch boxes are nongangable.
- 1-1/2" deep box is gangable. This provides the option of constructing a box to hold two or more devices.
- Plaster ears allow the box to be used in "old work" applications.

### COMPLIANCES

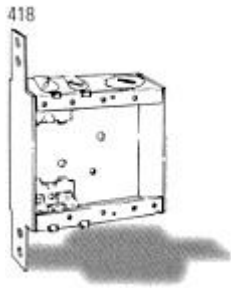
[Click here](#) for complete information on UL and other compliances that apply to these products.

### SWITCH BOX 1-1/2" DEEP

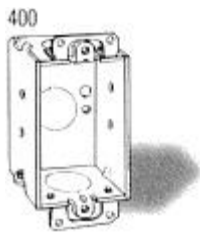
**4" x 4" SWITCH BOX  
1" DEEP  
NONGANGABLE WITH  
NONMETALLIC SHEATHED  
CABLE CLAMPS  
14.8 CUBIC INCHES**

RACO NO.	DESCRIPTION BRACKET & SETBACK	KNOCKOUTS				STD. PKG.
		SIDES COND.	CABLE COND.	ENDS COND.	BOTTOM COND.	
418	(2) Q clamp	4	2 - 1/2"			25

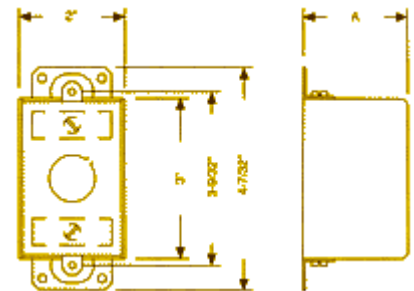




**3' x 2' SWITCH BOX**  
**1 1/2" DEEP**  
**GANGABLE**  
**WITH CONDUIT KO's**  
**7.5 CUBIC INCHES**



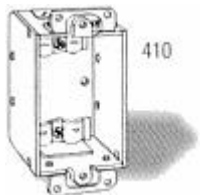
RACO NO.	DESCRIPTION BRACKET & SETBACK	KNOCKOUTS			STD. PKG.
		SIDES	ENDS	BOTTOM	
400	Ears ■■■■	2 - 1/2"	1 - 1/2"	20	



RACO NO.	A
400	1-1/2"

## SWITCH BOXES SINGLE-GANG

**3 x 2" SWITCH BOXES**  
**1 1/2" DEEP**  
**NONGANGABLE WITH**  
**NONMETALLIC SHEATHED**  
**CABLE CLAMPS**  
**7.5 CUBIC INCHES**



RACO NO.	DESCRIPTION BRACKET & SETBACK	KNOCKOUTS				STD. PKG.
		SIDES COND.	ENDS CABLE	BOTTOM COND.	COND.	
410	Ears ■■■■	4			50	

### APPLICATIONS: STEEL SWITCH BOXES

- Wiring method may be metallic or nonmetallic sheathed cable, or flexible metal conduit.

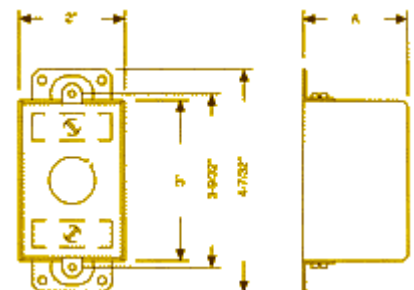
### PRODUCT FEATURES: STEEL SWITCH BOXES

- Shallow boxes have a "D" bracket that is scored, so it may be broken off if needed.
- Gangable switch boxes offer the option of constructing a box to hold two or more devices.
- Plaster ears allow the box to be used in "old work" applications.

### COMPLIANCES

[Click here](#) for complete information on UL and other compliances that apply to these products.

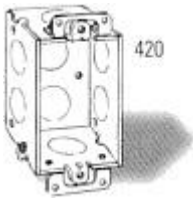
### STEEL SWITCH BOXES



**3' x 2' SWITCH BOX**  
**2" DEEP**  
**GANGABLE**  
**WITH CONDUIT KO's**  
**10.0 CUBIC INCHES**



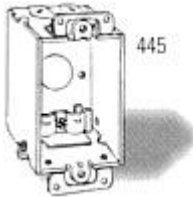
RACO NO.	DESCRIPTION BRACKET & SETBACK	KNOCKOUTS			STD. PKG.
		SIDES	ENDS	BOTTOM	
420	Ears ■■■■	4 - 1/2"	2 - 1/2"	2 - 1/2"	50
8420	Ears ■■■■	4 - 1/2"	2 - 1/2"	2 - 1/2"	50



RACO NO.	A
410	1-1/2"
420	2"
445	2"
440	2"

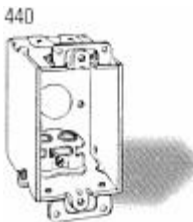
**3" x 2" SWITCH BOX  
2" DEEP  
GANGABLE WITH  
NONMETALLIC SHEATHED  
CABLE CLAMPS  
10.0 CUBIC INCHES**

RACO NO.	DESCRIPTION BRACKET & SETBACK	KNOCKOUTS			BOTTOM : STD. COND. · PKG.
		SIDES : COND.	CABLE · COND.	ENDS · COND.	
445	Ears		4	1 - 1/2"	50



**3" x 2" SWITCH BOX  
2" DEEP  
GANGABLE WITH  
ARMORED CABLE/  
METAL CLAD/  
FLEX CLAMPS  
10.0 CUBIC INCHES**

RACO NO.	DESCRIPTION BRACKET & SETBACK	KNOCKOUTS			BOTTOM : STD. COND. · PKG.
		SIDES : COND.	CABLE · COND.	ENDS · COND.	
440	Ears		4	1 - 1/2"	50



## SWITCH BOXES SINGLE-GANG, GANGABLE

**SWITCH BOXES  
2 1/4" DEEP  
GANGABLE - BEVELED  
CORNERS - WITH  
NONMETALLIC SHEATHED  
CABLE CLAMPS  
10.5 CUBIC INCHES**

RACO NO.	DESCRIPTION BRACKET & SETBACK	KNOCKOUTS			BOTTOM : STD. COND. · PKG.
		SIDES : COND.	CABLE · COND.	ENDS · COND.	
471	Ears		4	1 - 1/2"	50
8471	Ears ■■■■		4	1 - 1/2"	50
473	Level bumps ■■■■		4	2 - 1/2"	20
487	Old work, Griptite ■■■■		4	1 - 1/2"	20



### APPLICATIONS: GANGABLE SWITCH BOXES

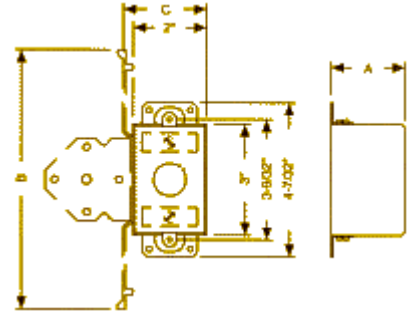
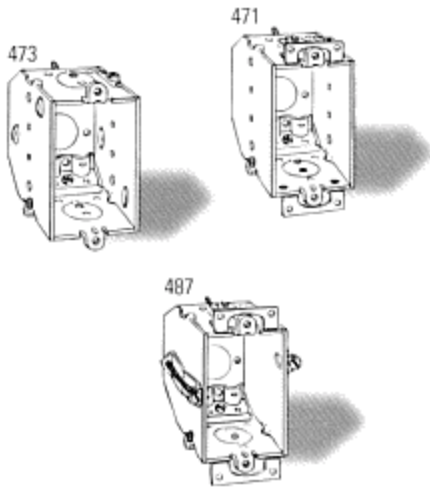
- Wiring method may be nonmetallic sheathed cable or conduit.

### PRODUCT FEATURES: GANGABLE SWITCH BOXES

- Gangable boxes offer the option of constructing a box to hold two or more devices.
- Beveled corner boxes are designed to prevent the clamp screws from protruding into back wall.
- Plaster ears allow the box to be used in "old work" applications.

### COMPLIANCES

[Click here](#) for complete information on UL and other compliances that apply to these products.



RACO NO.	A	B	C
471	2-1/4"	--	--
473	2-1/4"	--	--
487	2-1/4"	--	--

RACO SWITCH BOXES PAGE 1 2 3 4 NEXT

**TOP OF PAGE BACK TO RACO STEEL BOXES**  
[CLICK HERE](#) OR USE YOUR BROWSER'S "BACK" BUTTON TO GO BACK  
 TO THE PAGE THAT REFERRED YOU HERE.

Information and specifications displayed on this site are subject to change without notice.

© 2001, [Cape Electrical Supply, Inc.](#)

The product images and information and Hubbell and Raco logos on this page were copied with permission from the  
 Hubbell-Raco Electrical Products Catalog R-198 © [Hubbell Incorporated \(Delaware\)](#).

