

DESCRIPTION

The Paralux III Series features recessed aesthetics and the latest in energy efficient technology. The luminaire incorporates a true 3" deep precision cell louver into a nominal 5-1/2" deep para-contoured fixture housing. This combination creates a total high performance parabolic optical assembly for optimum performance. The series is compatible with all of today's popular ceiling systems and is available with a number of options and accessories for application versatility.

APPLICATION

The high performance luminaire is designed to offer maximum efficiency and performance for today's unique interior specifications. The Paralux III series is an excellent choice for commercial office spaces, schools, hospitals or retail merchandising areas.

SPECIFICATION FEATURES

A... Construction

Nominal 5-1/2" deep, para-contoured housing, die formed of code gauge, prime cold rolled steel. Die embossed housing has full length die formed stiffeners for added strength. Contoured ballast/wireway cover is easily removed without tools. Die formed captive lampholder bracket fully encloses lampholder wiring permitting easy lampholder replacement. Heavy end plates are securely attached with interlocking tabs and screws. Four auxiliary fixture end suspension points provided. KOs for continuous row wiring. End plates have labor saving integral Grid-Lock feature for safety and convenience. Housing features enable fixture to be converted from Grid to T-option or vice versa in the field.*

B... Electrical**

Ballasts are CBM/ETL Class "P" and are positively secured by mounting bolts. Pressure lock lampholders. UL listed. Add "CAN" prefix to catalog number for CSA certification.

C... Finish

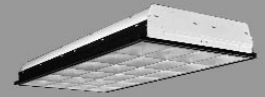
Lighting grade, baked white enamel finish. Multistage, iron phosphate pretreatment ensures maximum bonding and rust inhibition.

D... Hinging/Latching

Positive cam action spring loaded, self locking, black steel latches. Safety lock T-hinges allow hinging and latching either side.

E... Louver

Die formed of low iridescent, vertical grain anodized aluminum. Finish is Anodic Oxide parabolic cells are held in place with interlocking feature. True-cut mitered corners. Black reveal with integral mechanical light seal around entire perimeter of louver. Louver protected from construction contaminants by polyethylene cover.

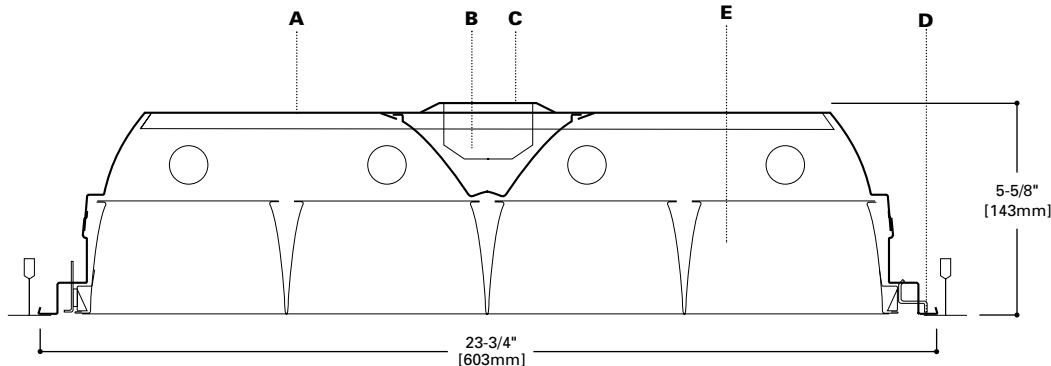


2EP3GAX440 432

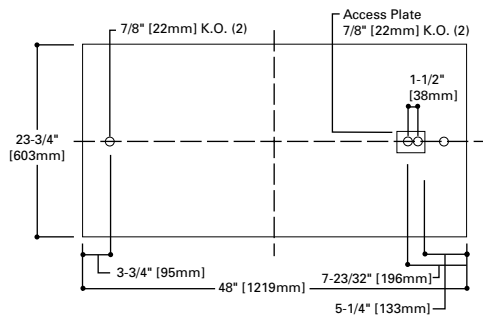
24 Cell

2' X 4' PARABOLIC
4 LAMP
SEMI-SPECULAR OR
SPECULAR LOUVER

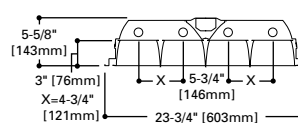
Paralux III
Recessed Static or
Air Supply Troffer



MOUNTING DATA



LAMP CONFIGURATIONS



ENERGY DATA

Input Watts:
EB Ballast & STD Lamps
440 (144)
432 (122)

ES Ballast & STD Lamps
440 (172)
432 (142)

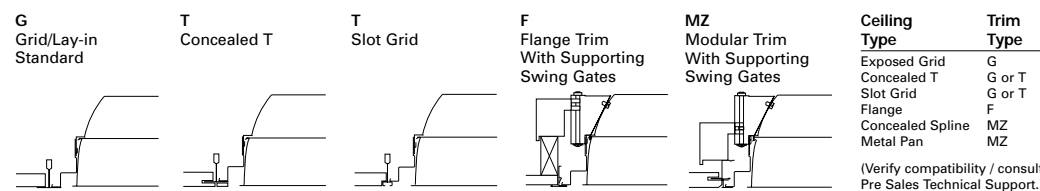
Luminaire Efficacy Rating
LER = FP-58
Catalog Number: 2EP3GAX-432

Yearly Cost of 1000 lumens,
3000 hrs at .08 KWH = \$4.14

*Convertibility applies to housing only. Appropriate shielding media assemblies must be utilized.

**Reference the lamp/ballast data in the Technical Section for specific lamp/ballast requirements.

CEILING COMPATIBILITY



COOPER LIGHTING

ADF991694



