

DESCRIPTION

The Paralux III Series features recessed aesthetics and the latest in energy efficient technology. The luminaire incorporates a true 3" deep precision cell louver into a nominal 5-1/2" deep para-contoured fixture housing. This combination creates a total high performance parabolic optical assembly for optimum performance. The series is compatible with all of today's popular ceiling systems and is available with a number of options and accessories for application versatility.

APPLICATION

The high performance luminaire is designed to offer maximum efficiency and performance for today's unique interior specifications. The Paralux III series is an excellent choice for commercial office spaces, schools, hospitals or retail merchandising areas.

SPECIFICATION FEATURES

A... Construction

Nominal 5-1/2" deep, para-contoured housing, die formed of code gauge, prime cold rolled steel. Die embossed housing has full length die formed stiffeners for added strength. Contoured ballast/wireway cover is easily removed without tools. Die formed captive lampholder bracket fully encloses lampholder wiring permitting easy lampholder replacement. Heavy end plates are securely attached with interlocking tabs and screws. Four auxiliary fixture end suspension points provided. KOs for continuous row wiring. End plates have labor saving integral Grid-Lock feature for safety and convenience. Housing features enable fixture to be converted from Grid to T-option or vice versa in the field.*

B... Electrical**

Ballasts are CBM/ETL Class "P" and are positively secured by mounting bolts. Pressure lock lampholders. UL listed. Add "CAN" prefix to catalog number for CSA certification.

C... Finish

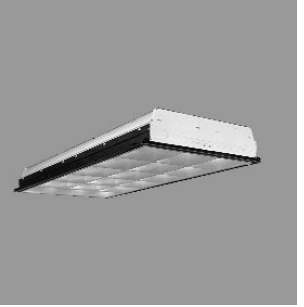
Lighting grade, baked white enamel finish. Multistage, iron phosphate pretreatment ensures maximum bonding and rust inhibition.

D... Hinging/Latching

Positive cam action spring loaded, self locking, black steel latches. Safety lock T-hinges allow hinging and latching either side.

E... Louver

Die formed of low iridescent, vertical grain anodized aluminum. Finish is Anodic oxide coating. Accurate precision parabolic cells are held in place with interlocking feature. True-cut mitered corners. Black reveal with integral mechanical light seal around entire perimeter of louver. Louver protected from construction contaminants by polyethylene cover.

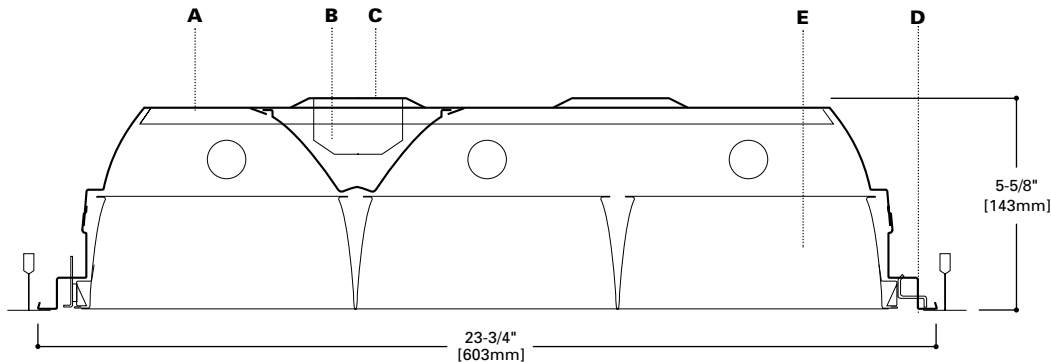


2EP3GAX340 332

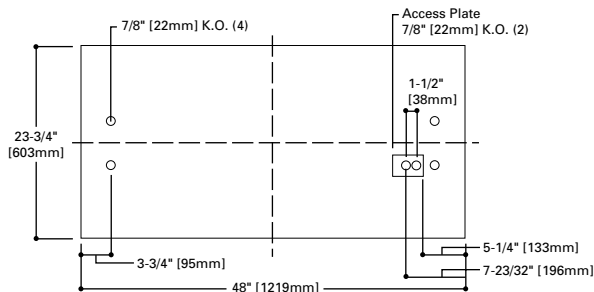
18 Cell

2' X 4' PARABOLIC
3 LAMP
SEMI-SPECULAR OR
SPECULAR LOUVER

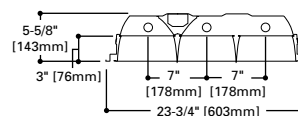
Paralux III
Recessed Static or
Air Supply Troffer



MOUNTING DATA



LAMP CONFIGURATIONS



ENERGY DATA

Input Watts:
EB Ballast & STD Lamps
340 (110)
332 (91)

ES Ballast & STD Lamps
340 (136)
332 (108)

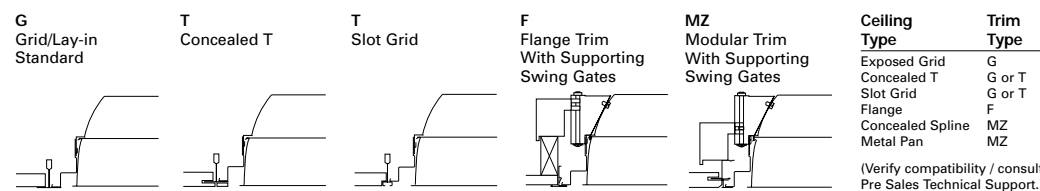
Luminaire Efficacy Rating
LER = FP-60
Catalog Number: 2EP3GAX-332

Yearly Cost of 1000 lumens,
3000 hrs at .08 KWH = \$4.00

*Convertibility applies to housing only. Appropriate shielding media assemblies must be utilized.

**Reference the lamp/ballast data in the Technical Section for specific lamp/ballast requirements.

CEILING COMPATIBILITY

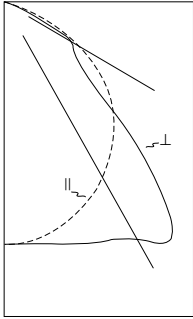


COOPER LIGHTING

ADF991691



PHOTOMETRICS



2EP3GAX-332S36I
 Electronic Ballast
 F32/35K Lamps
 2800 Lumens
 Spacing criterion:
 (H) 1.2 x mounting height,
 (L) 1.6 x mounting height
 Efficiency 69.4%
 Test Report
 #220P125

LER = FP-60
 Yearly Cost of 1000
 lumens, 3000 hrs at
 .08 KWH = \$4.00

Coefficients of Utilization

rc	Effective floor cavity reflectance																							
	20%																							
	80%				70%				50%				30%				10%				0%			
rw	70	50	30	10	70	50	30	10	50	30	10	50	30	10	50	30	10	50	30	10	50	30	10	0
RCR	0	83	83	83	83	81	81	81	81	77	77	77	74	74	74	71	71	71	69					
	1	78	75	73	71	76	73	71	70	71	69	68	68	67	65	66	65	64	62					
	2	72	68	64	61	71	67	63	60	64	62	59	62	60	58	60	58	57	55					
	3	67	61	57	53	66	60	56	53	58	55	52	56	53	51	55	52	50	49					
	4	62	55	50	46	61	54	50	46	53	49	45	51	48	45	50	47	44	43					
	5	57	49	44	40	56	49	44	40	47	43	39	46	42	39	45	41	39	37					
	6	53	45	39	35	52	44	39	35	43	38	35	42	38	34	41	37	34	33					
	7	49	40	35	31	48	40	34	31	39	34	30	38	33	30	37	33	30	29					
	8	45	36	30	27	44	35	30	26	35	30	26	34	29	26	33	29	26	25					
	9	41	32	27	23	40	32	26	23	31	26	23	30	26	23	29	25	22	21					
	10	38	29	24	20	37	29	24	20	28	23	20	27	23	20	27	23	20	19					

Zonal Lumen Summary

Zone	Lumens	%Lamp	%Fixture
0-30	1903	22.7	32.6
0-40	3285	39.1	56.3
0-60	5425	64.6	93.0
0-90	5834	69.4	100.0
0-180	5834	69.4	100.0

Typical VCP Percentages

Room Size (Ft.)	Height Along		Height Across	
	8.5'	10.0'	8.5'	10.0'
20 x 20	76	73	82	79
30 x 30	83	79	87	83
30 x 60	86	83	89	86
60 x 30	85	82	88	86
60 x 60	88	85	90	88

Candela

Angle	Along H	45°	Across ⊥
0	2312	2312	2312
5	2295	2306	2324
10	2251	2289	2347
15	2189	2274	2395
20	2108	2258	2451
25	2007	2235	2506
30	1891	2205	2636
35	1762	2173	2766
40	1617	2153	2259
45	1449	2001	1423
50	1257	1463	960
55	1043	885	807
60	782	571	666
65	443	325	243
70	142	106	79
75	45	38	35
80	18	16	15
85	6	5	4
90	0	0	0

ORDERING INFORMATION

SAMPLE NUMBER: 2EP3GAX-332S36I

2		EP		3		X		3		3		6				Options (add as suffix)															
HR Heat Removal ¹		D Heat Removal Control Damper		2' Width		Paralux Louver		Louver Depth		Trim Type G=Grid/Lay-in - Standard G or T=Concealed T G or T=Slot Grid F=Flange Trim MZ=Modular Trim Convertible Fixture Standard G (Grid) Type-Fixtures can be field converted to T-option or vice-versa. ² Fixture also adaptable with flanged or modular trims.		AX=Air Supply Floating Louver X=Blank Side/Floating Louver - Non-Air Supply (Omit A) AVX=Air Supply Floating Louver with Directional Air Vane (Add V)		CAN=Add "CAN" prefix for CSA certification.		Number of Lamps (Not included)		Wattage (Length) 40=40W (48") 32=32W T8 (48")		Louver Color ⁴ S=Silver G=Gold		Cell Configuration 36=3 Rows of 6, 18 Cell		Louver Finish ⁵ H=Semi-Specular/Haze (Gold Only) I=Semi-Specular/Haze (Low Iridescent) MI=Specular/Mirrored (Low Iridescent)		Voltage ⁵ 120=120V 277=277V		Ballast Type LE3= Energy Saving Ballast [®] LEOC8= Energy Saving Ballast (T-8 Lamp Only) EB = Generic Electronic Ballast No. of Ballasts 1 or 2 Lamp Size 2=T12 8=T8 (For Specific Electronic Ballast Specify Brand and Catalog Number)		Options PAF=Painted After Fabrication 2BC=Second Ballast Cover GL=Internal Single Element Fusing GM=Dual Element Fusing LCWE=F40/Cool White Energy Saving Lamps, Installed L8730=F32T8 3000 Kelvin Lamps, Installed L8735=F32T8 3500 Kelvin Lamps, Installed L8741=F32T8 4100 Kelvin Lamps, Installed EL4=Emergency Lighting self-contained ³ RIF1=Radio Interference Suppressor FR=Suitable for Fire Rated Applications EQ=T-BAR Safety Earthquake Clips ³ MEP=Modified End Plate/ For End Filler Applications (See Accessory Section) 20GA/REP=20 Gauge Riveted Endplates. For use in New York City. (Additional options available. See Accessory Section)	

NOTE See option/accessories sections for additional detailed product data. Specifications and Dimensions subject to change without notice.

¹ Integral End Plate Grid Lock Feature not available in Heat Removal.

² Convertibility applies to housing only, appropriate shielding media assemblies must be utilized.

³ EQ Grid Clip is recommended for all 9/16" ceiling systems.

⁴ White Parabolic Louver available.

⁵ Consult Pre Sales Technical Support.

SHIPPING INFORMATION

Catalog No.	Wt.
2EP3GAX-332S36I	42 lbs.



Visit our web site at www.cooperlighting.com

Customer First Center 1121 Highway 74 South Peachtree City, GA 30269 770.486.4800 FAX 770.486.4801 ADF991691