

DESCRIPTION

The Paralux III Series features recessed aesthetics and the latest in energy efficient technology. The luminaire incorporates a true 3" deep precision cell louver into a nominal 5-1/2" deep para-contoured fixture housing. This combination creates a total high performance parabolic optical assembly for optimum performance. The series is compatible with all of today's popular ceiling systems and is available with a number of options and accessories for application versatility.

APPLICATION

The high performance luminaire is designed to offer maximum efficiency and performance for today's unique interior specifications. The Paralux III series is an excellent choice for commercial office spaces, schools, hospitals or retail merchandising areas.

SPECIFICATION FEATURES

A... Construction

Nominal 5-1/2" deep, para-contoured housing, die formed of code gauge, prime cold rolled steel. Die embossed housing has full length die formed stiffeners for added strength. Contoured ballast/wireway cover is easily removed without tools. Die formed captive lampholder bracket fully encloses lampholder wiring permitting easy lampholder replacement. Heavy end plates are securely attached with interlocking tabs and screws. Four auxiliary fixture end suspension points provided. KOs for continuous row wiring. End plates have labor saving integral Grid-Lock feature for safety and convenience. Housing features enable fixture to be converted from Grid to T-option or vice versa in the field.*

B... Electrical**

Ballasts are CBM/ETL Class "P" and are positively secured by mounting bolts. Pressure lock lampholders. UL listed. Add "CAN" prefix to catalog number for CSA certification.

C... Finish

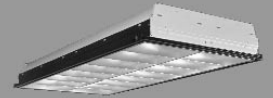
Lighting grade, baked white enamel finish. Multistage, iron phosphate pretreatment ensures maximum bonding and rust inhibition.

D... Hinging/Latching

Positive cam action spring loaded, self locking, black steel latches. Safety lock T-hinges allow hinging and latching either side.

E... Louver

Die formed of low iridescent, vertical grain anodized aluminum. Finish is Anodic oxide coating. Accurate precision parabolic cells are held in place with interlocking feature. True-cut mitered corners. Black reveal with integral mechanical light seal around entire perimeter of louver. Louver protected from construction contaminants by polyethylene cover.

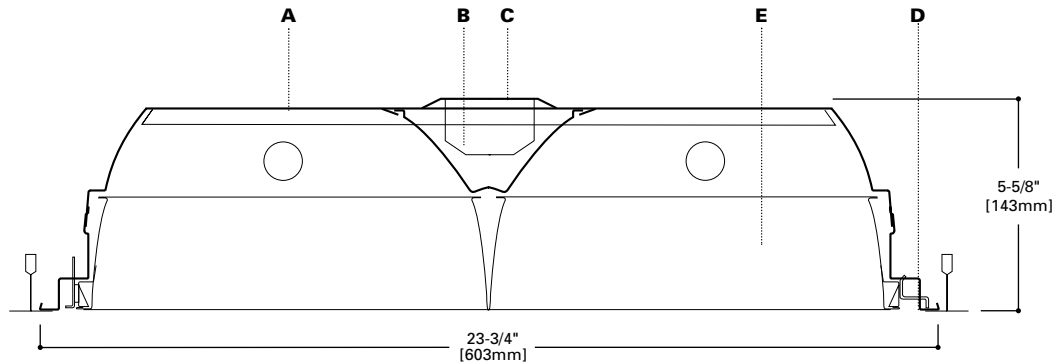


2EP3GAX240 232

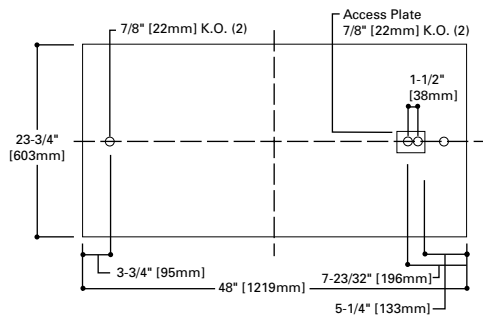
16 Cell

2' X 4' PARABOLIC
2 LAMP
SEMI-SPECULAR OR
SPECULAR LOUVER

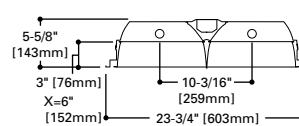
Paralux III
Recessed Static or
Air Supply Troffer



MOUNTING DATA



LAMP CONFIGURATIONS



ENERGY DATA

Input Watts:
EB Ballast & STD Lamps
240 (72)
232 (61)

ES Ballast & STD Lamps
240 (86)
232 (71)

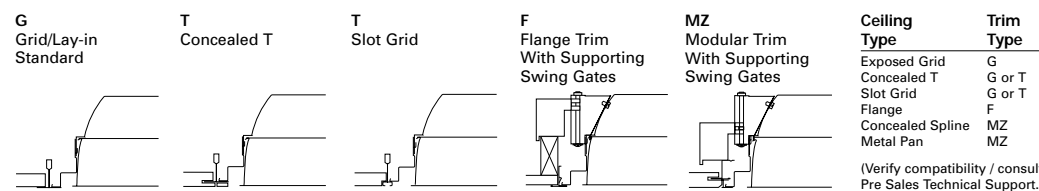
Luminaire Efficacy Rating
LER = FP-59
Catalog Number: 2EP3GAX-232

Yearly Cost of 1000 lumens,
3000 hrs at .08 KWH = \$4.07

*Convertibility applies to housing only. Appropriate shielding media assemblies must be utilized.

**Reference the lamp/ballast data in the Technical Section for specific lamp/ballast requirements.

CEILING COMPATIBILITY

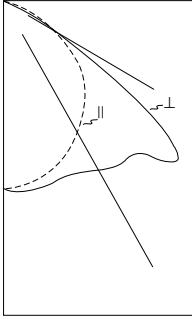


COOPER LIGHTING

ADF991690



PHOTOMETRICS



2EP3GAX-232S28I
Electronic Ballast
F32T8/35K Lamps
2800 Lumens

Spacing criterion:
(\parallel) 1.2 x mounting height,
(\perp) 1.6 x mounting height
Efficiency 71.4%

Test Report

#220P129

LER = FP-59

Yearly Cost of 1000
lumens, 3000 hrs at
.08 KWH = \$4.07

Coefficients of Utilization

		Effective floor cavity reflectance																	
		80%				70%				20%									
		50%																	
rc		70%			50%			30%			10%			0%					
rw		70	50	30	10	70	50	30	10	50	30	10	50	30	10	50	30	10	0
RCR																			
0	85	85	85	85	83	83	83	83	79	79	79	76	76	76	73	73	73	71	
1	79	77	74	72	78	75	73	71	72	71	69	70	68	67	67	66	65	64	
2	74	69	65	62	72	68	64	61	65	63	60	63	61	59	61	59	57	56	
3	68	62	57	54	67	61	57	53	59	55	52	57	54	51	55	53	50	49	
4	63	56	50	46	61	55	50	46	53	49	45	51	48	45	50	47	44	43	
5	58	49	44	40	56	49	43	39	47	43	39	46	42	39	45	41	38	37	
6	53	44	38	34	52	44	38	34	42	37	34	41	37	33	40	36	33	32	
7	49	39	34	29	47	39	33	29	38	33	29	37	32	29	36	32	29	27	
8	45	35	29	25	43	35	29	25	34	29	25	33	28	25	32	28	25	23	
9	41	31	25	21	40	31	25	21	30	25	21	29	25	21	28	24	21	20	
10	38	28	23	19	37	28	22	19	27	22	19	26	22	19	26	22	18	17	

Zonal Lumen Summary

Zone	Lumens	%Lamp	%Fixture
0-30	1163	20.8	29.1
0-40	1976	35.3	49.4
0-60	3724	66.5	93.2
0-90	3996	71.4	100.0
0-180	3996	71.4	100.0

Typical VCP Percentages

Room Size (Ft.)	Height Along		Height Across	
	8.5'	10.0'	8.5'	10.0'
20 x 20	85	81	81	77
30 x 30	90	86	87	83
30 x 60	91	89	89	86
60 x 30	90	88	88	84
60 x 60	92	90	90	88

Candela

Angle	Along \parallel	45°	Across \perp
0	1458	1458	1458
5	1444	1464	1482
10	1410	1452	1485
15	1367	1424	1465
20	1311	1379	1447
25	1246	1323	1470
30	1172	1291	1518
35	1087	1271	1555
40	990	1252	1560
45	879	1218	1750
50	747	1160	1724
55	586	1027	926
60	371	612	426
65	165	215	246
70	53	76	104
75	23	27	31
80	10	12	13
85	3	4	4
90	0	0	0

ORDERING INFORMATION

SAMPLE NUMBER: 2EP3GAX-232S28I

	2	EP	3			X		2		2	8										Options (add as suffix)									
	HR Heat Removal ¹							Number of Lamps (Not included)															Options PAF=Painted After Fabrication GL=Internal Single Element Fusing GM=Dual Element Fusing LCWE=F40/Cool White Energy Saving Lamps, Installed L8730=F32T8 3000 Kelvin Lamps, Installed L8735=F32T8 3500 Kelvin Lamps, Installed L8741=F32T8 4100 Kelvin Lamps, Installed EL4=Emergency Lighting self-contained ⁵ RIF1=Radio Interference Suppressor FR=Suitable for Fire Rated Applications EQ=T-BAR Safety Earthquake Clips ³ MEP=Modified End Plate/ For End Filler Applications (See Accessory Section) 20GA/REP=20 Gauge Riveted Endplates. For use in New York City. (Additional options available. See Accessory Section)							
	D Heat Removal Control Damper							Wattage (Length) 40=40W (48") 32=32W T8 (48")							Voltage ⁶ 120=120V 277=277V	Ballast Type LE3= Energy Saving Ballast [®] LEOC8= Energy Saving Ballast (T-8 Lamp Only) EB = Generic Electronic Ballast No. of Ballasts 1 or 2 Lamp Size 2=T12 8=T8 (For Specific Electronic Ballast Specify Brand and Catalog Number)														
	2' Width							Louver Color ⁴ S=Silver G=Gold																						
	Paralux Louver							Cell Configuration 28=2 Rows of 8, 16 Cell																						
	Louver Depth							Louver Finish ⁵ H=Semi-Specular/Haze (Gold Only) I=Semi-Specular/Haze (Low Iridescent) MI=Specular/Mirrored (Low Iridescent)																						
	Trim Type G=Grid/Lay-in - Standard G or T=Concealed T G or T=Slot Grid F=Flange Trim MZ=Modular Trim Convertible Fixture Standard G (Grid) Type-Fixtures can be field converted to T-option or vice-versa. ² Fixture also adaptable with flanged or modular trims.																													
	AX=Air Supply Floating Louver X=Blank Side/Floating Louver - Non-Air Supply (Omit A) AVX=Air Supply Floating Louver with Directional Air Vane (Add V)																													

CAN=Add "CAN" prefix for CSA certification.

NOTE See option/accessories sections for additional detailed product data. Specifications and Dimensions subject to change without notice.

¹ Integral End Plate Grid Lock Feature not available in Heat Removal.

² Convertibility applies to housing only, appropriate shielding media assemblies must be utilized.

³ EQ Grid Clip is recommended for all 9/16" ceiling systems.

⁴ White Parabolic Louver available.

⁵ Consult Pre Sales Technical Support.

SHIPPING INFORMATION

Catalog No.	Wt.
2EP3GAX-232S28I	42 lbs.