

DESCRIPTION

Low brightness 6" aperture reflector for use with either 26W or 32W Triple tube 4-pin lamps. The precisely formed non-imaging reflector ensures 55° cutoff to lamp and lamp image and the one piece design eliminates light leaks at the ceiling. Standard features include low iridescent finish on all reflector colors (to eliminate "rainbowing") and one electronic rapid start preheat ballast to operate all 26W and 32W triple lamps. Venting ensures maximum lamp life and lumen output. Adjustable socket locks lamp into optimal position and cannot be disturbed by normal maintenance. Optics offer unparalleled performance in glare free lighting with a smooth beam; its performance rivals that of higher wattage, larger aperture twin tube and quad tube units. Medium beam, wide beam and open wall wash trims are interchangeable within the same housing.

SPECIFICATION FEATURES

A...Reflector

Low iridescent Alzak® finishes in specular clear, haze, straw and wheat, .050 thick aluminum, in a one piece spun macrofocal parabolic contour. Positive reflector mounting pulls trim tight to ceiling. Other finish options available upon request.

B...Trim Ring Options

High impact polymer with satin white finish, metal trim, rimless trim or self flanged reflector.

C...Socket Cap

One piece vented and finned die cast aluminum cap for maximum thermal performance.

D...Housing Mounting Frame

One piece precision die cast aluminum 1 1/2" deep collar accommodates varying dimensions of ceiling materials.

E...Universal Mounting Bracket

Accepts 1/2" EMT, C Channel, T bar fasteners, and bar hangers. Adjusts 5" vertically from

above or below ceiling.

F...Conduit Fittings

Die cast screw tight connectors.

G...Junction Box

Listed for eight #12AWG (four in, four out) 90°C conductors feed through branch wiring. 1/2" and two 3/4" pry outs.

Positioned to allow straight conduit runs. Access to junction box by removing reflector.

H...Socket

4 pin G24q3 base with fatigue free stainless steel lamp spring ensures positive lamp retention.

I...Electronic Ballast

Thermally protected, fused, encased and potted high frequency electronic ballast provides full light output and rated lamp life. Provides flicker free and noise free operation and starting.

Labels

U.L. listed, C.S.A. certified, standard damp label, IBEW union made.



C6032-6050

**26W Triple
32W Triple
Compact
Fluorescent**

**6" WIDE BEAM
OPEN REFLECTOR**

Energy Data

26W Triple 4-pin

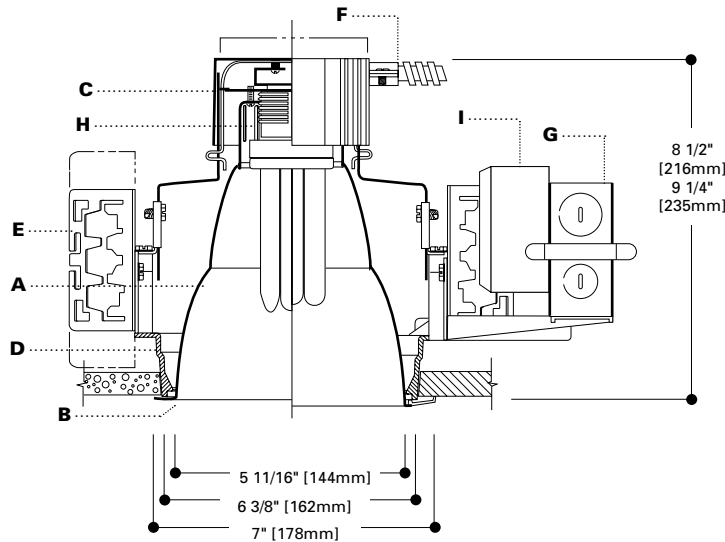
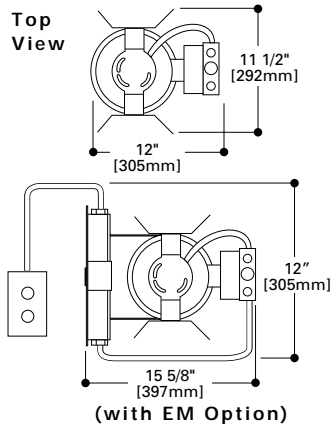
Ballast: Electronic
120V Input Watts: 29
Line Amps: 0.25
277V Input Watts: 26
Line Amps: 0.09
Power Factor: >.99
THD: <10%
Min Starting Temp.: -10°C (15°F)
Sound Rating: A

32W Triple 4-pin

Ballast: Electronic
120V Input Watts: 34.5
Line Amps: 0.30
277V Input Watts: 34.5
Line Amps: 0.13
Power Factor: >.99
THD: <10%
Min Starting Temp.: -10°C (15°F)
Sound Rating: A

32W Triple 4-pin

Ballast: Dimming
120V Input Watts: 39
Line Amps: 0.33
277V Input Watts: 37
Line Amps: 0.13
Power Factor: >.95
THD: <20%
Min Starting Temp.: 10°C (50°F)
Sound Rating: A



ORDERING INFORMATION

SAMPLE NUMBER: C60321E-6050LI

Complete unit consists of housing, ballast and trim.

Housing	Ballast	Trims	Color	Accessories
C6032				
C6032	1E, 1EEM*, 1ECP*=120V Electronic 2E, 2EEM*, 2ECP*=277V Electronic 3E=347V Electronic 1D, 1DCP*=120V Dimming** 2D, 2DCP*=277V Dimming** *EM=Emergency Module Option Refer to sheet ADV952040 for additional information *CP=Chicago Plenum Option Refer to sheet ADV953005 for additional information	6050=Reflector with Polymer Trim 6051=Self Flanged Reflector	LI=Specular Clear, Low Iridescent H=Haze S=Straw WH=Wheat	Metal Trim Rings TRM6-P=White TRM6-MB=Black Rimless Trim Ring TRR6=White Wall Box Dimmers DFL=120/277V Series

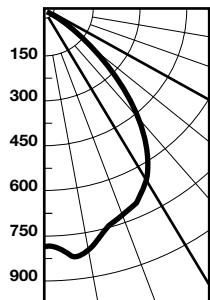
** Lutron Hi-Lume® or 100% compatible 32W Lamps only

NOTES:

Accessories should be ordered separately.
For additional options please consult your Cooper Lighting Representative. Alzak is a registered trademark of Aluminum Company of America. Hi-Lume is a registered trademark of Lutron Electronics Co. Inc.

PHOTOMETRICS

Candlepower Distribution



Test No. H22186
C6032-6050LI
 Wide Beam Reflector
 Lamp=32 TTT
 Lumens=2400
 Spacing
 Criterion=1.2
 Efficiency=54.0%

Candlepower

Deg.	CD
0	783
5	796
15	741
25	676
35	550
45	338
55	104
65	0
75	0
85	0
90	0

Average Luminance

Deg.	CD/SQ M
45	29109
55	11070
65	562
75	0
85	0

Cone of Light

Distance to Illuminated Plane	Initial Nadir Footcandles	Beam Diameter
5'6"	26	6'6"
6'6"	19	7'6"
8'0"	12	9'6"
10'0"	8	12'0"
12'0"	5	14'0"
14'0"	4	16'5"

Beam diameter is to 50% of maximum footcandles, rounded to the nearest half-foot.

Footcandle values are initial, apply appropriate light loss factors where necessary.

Lamp Multiplier	Reflector Multiplier:	EM Multiplier (in emergency mode)
26W TTT= .82	Haze=.95 Straw=.9 Wheat=.9	EM=.27

Zonal Lumen Summary

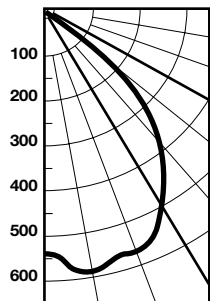
Zone	Lumens	%Lamp	%Luminaire
0-30	598	24.9	46.2
0-40	940	39.2	72.6
0-60	1291	53.8	99.6
0-90	1296	54.0	100.0
90-180	0	0.0	0.0
0-180	1296	54.0	100.0

Coefficient of Utilization

rc	80%				70%			50%		30%		10%		0%
	70	50	30	10	50	30	10	50	10	50	10	50	10	0
RCR														
0	64	64	64	64	63	63	63	60	60	57	57	55	55	54
1	61	59	58	57	58	57	56	56	54	54	52	52	51	50
2	58	55	53	51	54	52	50	52	49	51	48	49	47	46
3	55	51	48	46	50	48	45	47	45	47	44	46	43	42
4	52	47	44	42	47	44	41	45	41	44	40	43	40	39
5	48	44	40	38	43	40	38	42	37	41	37	40	37	36
6	46	40	37	34	40	36	34	39	34	38	34	37	33	33
7	42	37	33	31	37	33	31	36	30	35	30	34	30	29
8	40	34	30	28	34	30	28	33	28	32	27	32	27	26
9	37	31	27	25	31	27	25	30	25	30	25	29	25	24
10	35	29	25	23	28	25	23	28	22	27	22	27	22	21

rc=Ceiling reflectance, rw=Wall reflectance, RCR=Room cavity ratio
 CU Data Based on 20% Effective Floor Cavity Reflectance.

Candlepower Distribution



Test No. H22195
C6032-6050LI
 Wide Beam Reflector
 Lamp=32W PLT
 Lumens=2400
 Spacing
 Criterion=1.3
 Efficiency=47.0%

Candlepower

Deg.	CD
0	546
5	561
15	588
25	568
35	475
45	330
55	107
65	4
75	0
85	0
90	0

Average Luminance

Deg.	CD/SQ M
45	28429
55	11378
65	548
75	0
85	0

Cone of Light

Distance to Illuminated Plane	Initial Nadir Footcandles	Beam Diameter
5'6"	18	7'6"
6'6"	13	9'0"
8'0"	9	11'0"
10'0"	5	13'6"
12'0"	4	16'6"
14'0"	3	19'0"

Beam diameter is to 50% of maximum footcandles, rounded to the nearest half-foot.

Footcandle values are initial, apply appropriate light loss factors where necessary.

Lamp Multiplier	Reflector Multiplier:	EM Multiplier (in emergency mode)
26W PLT= .94	Haze=.95 Straw=.9 Wheat=.9	EM=.27

Zonal Lumen Summary

Zone	Lumens	%Lamp	%Luminaire
0-30	482	20.1	42.7
0-40	777	32.4	68.9
0-60	1124	46.8	99.6
0-90	1129	47.0	100.0
90-180	0	0.0	0.0
0-180	1129	47.0	100.0

Coefficient of Utilization

rc	80%				70%			50%		30%		10%		0%
	70	50	30	10	50	30	10	50	10	50	10	50	10	0
RCR														
0	56	56	56	56	55	55	55	52	52	50	50	48	48	47
1	53	52	50	49	51	49	48	49	47	47	46	45	44	43
2	50	48	46	44	47	45	44	45	43	44	42	43	41	40
3	47	44	41	39	43	41	39	42	38	41	38	40	37	36
4	45	41	38	36	40	37	35	39	35	38	34	37	34	33
5	42	37	34	32	37	34	32	36	32	35	31	34	31	30
6	39	34	31	29	34	31	29	33	28	32	28	32	28	27
7	36	31	28	26	31	28	26	30	25	30	25	29	25	24
8	34	29	25	23	28	25	23	28	23	27	23	27	23	22
9	31	26	23	20	26	23	20	25	20	25	20	24	20	19
10	29	24	20	18	24	20	18	23	18	23	18	22	18	17

rc=Ceiling reflectance, rw=Wall reflectance, RCR=Room cavity ratio
 CU Data Based on 20% Effective Floor Cavity Reflectance.

Note: Specifications and Dimensions subject to change without notice.

Visit our website at www.cooperlighting.com

