

## DESCRIPTION

A low brightness 4" diameter wallwash downlight for use with A19 lamps (100W max, frosted lamps recommended). There is a 55° cutoff to lamp and lamp image in the downlight portion of the distribution. Unit provides a smooth vertical wash of light without flashback. The modular housing system supports various downlight and wallwash reflectors.

## SPECIFICATION FEATURES

### A...Reflector

Patented injection molded stepped kicker reflector is vacuum metallized with hardcoat finish. Positive reflector mounting pulls trim tight to ceiling. The housing is pre-set to allow reflector to be installed at 90° increments, aligned with fixture axes. Relocation of mounting screws and use of fine adjustment mechanism enable 360° adjustment. Reflectors are clearly

## SPECIFICATION FEATURES

labeled to indicate correct orientation relative to wall(s).

### B...Trim Ring

High impact polymer with satin white finish or self flanged reflector. Metal trim ring and rimless trim ring accessories available (See Options and Accessories).

### C...Socket Cap

One piece heat dissipating die-cast aluminum.

### D...Housing

Precision die-cast aluminum 1 1/2" (38mm) deep collar. Optical assembly adjusts within the housing to accommodate ceilings up to 3 1/2" (89mm) thick.

### E...Universal Mounting Bracket

Accepts 1/2" EMT, C Channel, T bar fasteners and hanger bars. Provides 5" total adjustment.

### F...Conduit Fittings

Die-cast screw tight connectors.

### G...Junction Box

U.L. listed for four in, four out #12 at 90°C pull through branch wiring. Pry-outs for four 1/2" and two 3/4" conduits. Access to junction box by removing reflector.

### H...Socket

Medium base porcelain socket with nickel plated screw shell.

### Insulation Detector

Self-resetting insulation detector opens circuit if insulation is improperly installed.

### Labels

U.L. listed, C.S.A. certified, damp location, IBEW union made.

### Options & Accessories

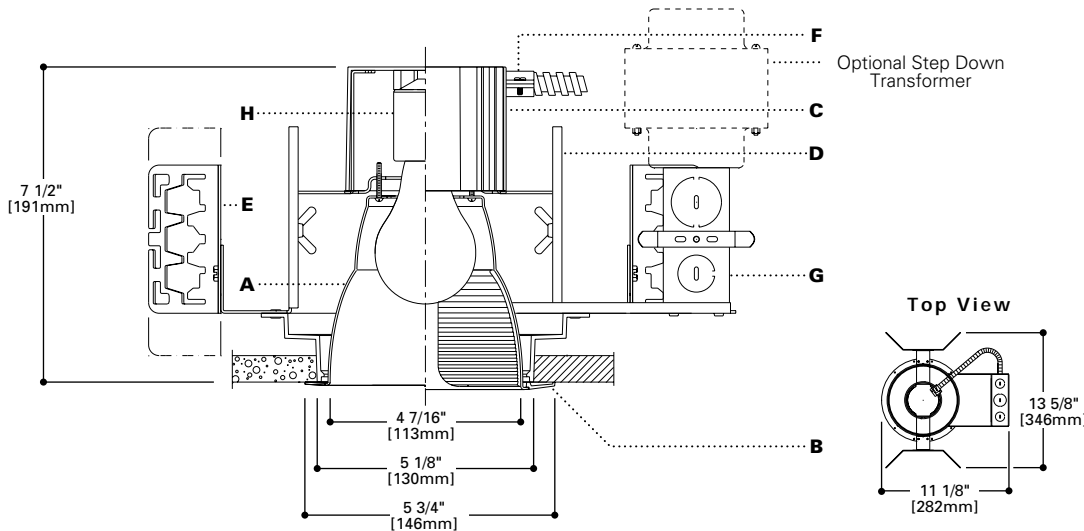
TRM=Metal Trim Rings to replace polymer trim ring  
TRR=Rimless Trim Rings for minimal flange appearance in plaster ceilings



## HD4-4510

**1 0 0 W M A X  
A 1 9**

**4" WALL WASH  
DOWNLIGHT**



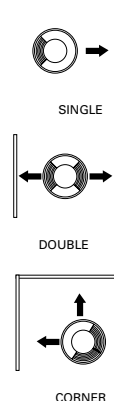
**NOTES:**  
Accessories should be ordered separately. For additional options please consult your Cooper Lighting Representative. Alzak is a registered trademark of Aluminum Company of America.

## ORDERING INFORMATION

SAMPLE NUMBER: HD4-4510-LI

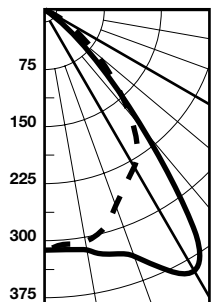
Complete unit consists of housing and reflector.

Housing	Reflector	Finish	Accessories
<b>HD4</b>			
<b>HD4</b> <b>HD4CP*</b> *Chicago Plenum (supplied with gasketed wiring enclosure to comply with Chicago electrical code for air return plenums)	Wallwash with Polymer Trim Ring 4510=Single 4520=Double 4530=Corner  Self Flanged Wallwash 4511=Single 4521=Double 4531=Corner	LI=Specular Clear H=Haze S=Straw WH=Wheat  Clear Alzak finish available on special order. Change finish suffix to C	Metal Trim Rings TRM4-P=White TRM4-MB=Black  Rimless Trim Ring TRR4  1 1/2" C Channel Bar Hangers (Set of Two) HB26=26" Long HB50=50" Long  Step Down Transformer H277=277V to 120V, 150VA Max. Mounts to Knockout on J-Box.



PHOTOMETRICS

Candlepower Distribution



Test No. H21083  
**HD4-4510C**  
 Lamp=75W A19IF  
 Inside Frosted  
 Lumens=885  
 Spacing Criteria  
 0°=1.1 180°=1.4  
 Efficiency=60.3%

--- 0° Wall  
 ——— 180° Dwnlnt

Candlepower

Deg.	0° Wall	180° Dwnlnt
0	314	314
5	304	316
15	293	328
25	243	372
35	194	295
45	113	87
55	58	12
65	27	1
75	8	0
85	1	0
90	0	0

Average Luminance CD/SQM

Deg.	0° Wall	180° Dwnlnt
45	15541	12014
55	9817	1987
65	6201	184
75	2861	0
85	1453	0

Single Fixture 2'6" From Wall

DD	Distance From Fixture Along Wall					
	1'	2'	3'	4'	5'	6'
1	3	2	1	0	0	0
2	6	4	2	1	0	0
3	6	5	3	1	0	0
4	5	4	3	1	1	0
5	3	3	2	2	1	0
6	2	2	2	1	1	0
7	2	2	1	1	1	1
8	1	1	1	1	1	1
9	1	1	1	1	1	0
10	1	1	1	1	0	0

2' Distance From Wall

DD	Spacing Between Fixtures					
	2'			4'		
1	7	7	7	6	1	6
2	15	14	15	10	5	10
3	15	15	15	9	6	9
4	12	12	12	6	6	6
5	9	9	9	5	5	5
6	6	7	6	4	4	4
7	5	5	5	3	3	3
8	3	4	3	2	2	2
9	3	3	3	2	2	2
10	2	2	2	2	2	2

2'6" Distance From Wall

DD	Spacing Between Fixtures					
	3'			4'		
1	3	2	3	3	1	3
2	7	6	7	6	4	6
3	9	8	9	7	6	7
4	8	8	8	6	6	6
5	7	7	7	5	5	5
6	5	5	5	4	4	4
7	4	4	4	3	3	3
8	3	3	3	3	3	3
9	3	3	3	2	2	2
10	2	2	2	2	2	2

3' Distance From Wall

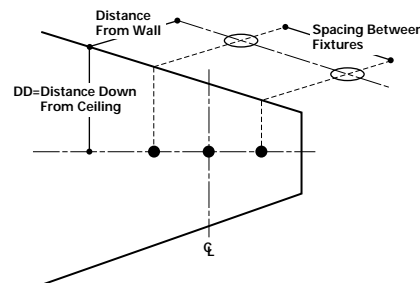
DD	Spacing Between Fixtures					
	3'			4'		
1	2	1	2	1	1	1
2	5	4	5	4	3	4
3	7	6	7	5	5	5
4	7	7	7	6	5	6
5	7	7	7	5	5	5
6	5	6	5	4	4	4
7	4	5	4	4	4	4
8	4	4	4	3	3	3
9	3	3	3	2	3	2
10	2	2	2	2	2	2

Notes:

- Illuminance values for multiple fixtures are based upon the center two units of a four unit array. Footcandle values are centerline of fixtures and centered between fixtures.
- Illuminance values are cosine corrected initial values with no contribution from inter reflections from other room surfaces. Total illumination may increase from contributions from other surfaces.
- Changing fixture spacing will affect illuminance level.

$$\text{New Fc} = \frac{\text{Existing Spacing}}{\text{New Spacing}} \times \text{Average Table Fc Level}$$

- When selecting colored cones option, only downlight cone is colored; the wall wash reflector is natural Alzak. This allows the color (CRI, °K) of the light source to be unaffected and maximizes lumen output.
- Illuminance in footcandles. Lux conversion factor: 1FC=10.76 LUX



Note: Specifications and Dimensions subject to change without notice.

Visit our website at [www.cooperlighting.com](http://www.cooperlighting.com)

