

HALO®



H1499T75

NON IC HOUSING

- For non-insulated ceilings or where insulation can be kept 3" from housing (U.S. only)
- Integral low voltage transformer

DESCRIPTION

Small aperture low voltage housing for accent and task lighting.

Housing Features

- Integral thermal protector guards against misuse of insulation materials and improper lamping.
- Dual tap 120/277V integral magnetic transformer steps line voltage down to lamp operating voltage.
- Junction Box is listed for through branch circuit wiring and has seven 1/2" knockouts and four Romex knockouts with true pry out slots. Romex pryouts include built in strain relief and require no additional clamps.
- Pre-installed, captive bar hangers allow housing to be positioned at any point within a 24" joist span. Score lines provided for easy field shortening for 12" joists. Unique arrowhead design

provides "Nailless" installation. Bar hangers can be repositioned 90° without tools on plaster frame. Hangers fit onto T-Bar spline for quick alignment and can be permanently secured with optional TB7 T-Bar clip.

Installation Features

- 5 1/2" Height allows use in 2" x 6" joist construction.
- Housing can be removed from plaster frame for junction box access.

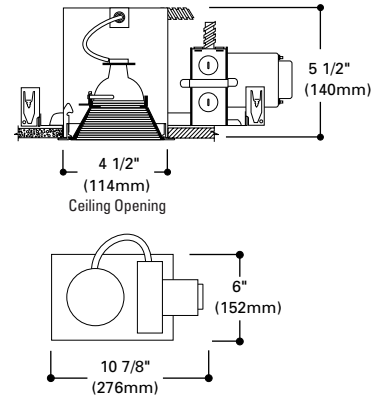
Listings

- UL Damp Location
- UL Feed Through
- CSA Certified
- IP Rated

Accessories

All trims compatible with L100 series optical lenses and color filters.

DIMENSIONS



Note: Products also available in non-U.S. voltages and 50Hz for international markets. Consult your Cooper Lighting Representative for availability and ordering information.

REFLECTORS



1421 Specular Reflector Cone-35° tilt

Finish: C, CG, RG, MB
Lamp: H1499T75-1421 75W 12V MR16
OD: 5 1/16" (129mm)

BAFFLES



1419 1 7/8" Open Coilex

Finish: P, W
Lamp: H1499T75-1419 75W 12V MR16
OD: 5 1/16" (129mm)



1493 Black Coilex Baffle-35° tilt

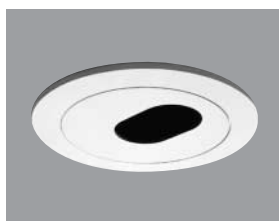
Finish: P, BC, PB (TRIM RING)
Lamp: H1499T75-1493 75W 12V MR16
OD: 5 1/16" (129mm)



1493W White Coilex Baffle-35° tilt

Finish: W
Lamp: H1499T75-1493 75W 12V MR16
OD: 5 1/16" (129mm)

ADJUSTABLES



1420 Slot Aperture-35° tilt

Finish: P
Lamp: H1499T75-1420 75W 12V MR16
OD: 5 1/16" (129mm)



1495 Gimbal Adjustable-30° tilt

Finish: P
Lamp: H1499T75-1495 75W 12V MR16
OD: 5 1/16" (129mm)

NEW



1496 Retractable Elbow-60° tilt

Finish: P
Lamp: H1499T75-1496 75W 12V MR16
OD: 5 1/16" (129mm)

NEW



1498 Eyeball-30° tilt

Finish: P, PB, W
Lamp: H1499T75-1498 75W 12V MR16
OD: 5 1/16" (129mm)

Trim Finishes

P SATIN WHITE
W WHITE BAFFLE
BC BLACK CHROME
PB POLISHED BRASS

Reflector Finishes

C CLEAR
CG CHAMPAGNE GOLD
MB SPECULAR BLACK
RG RESIDENTIAL GOLD