

TYPE:

CATALOG#:

METALUX®

DESCRIPTION

The SS Series is a functional and multi-purpose wide strip family that incorporates premium performance and construction durability. The performance and application versatility of this series can be increased by incorporating symmetrical or asymmetrical reflectors. The SS Series can be installed using various mounting methods and numerous options and accessories are available.

APPLICATION

The SS Series can be the illumination solution in commercial, industrial, retail and residential applications. Fixtures can be used in storage/utility areas, coves, display cases, shops, task and general area lighting.

SPECIFICATION FEATURES

A...Construction Channel die formed code gauge prime cold rolled steel. Numerous KO's for ease of installation. End plate quickly converts to snap-in channel connector for continuous row alignment. Lampholder mounting brackets easily installed with snap-in action. Channel/wireway cover secured with quarter-turn fasteners.

B...Electrical* Ballasts are CBM/ETL Class "P" and are positively secured by mounting bolts. Pressure lock lampholders. UL/CUL listed. Suitable for damp locations.

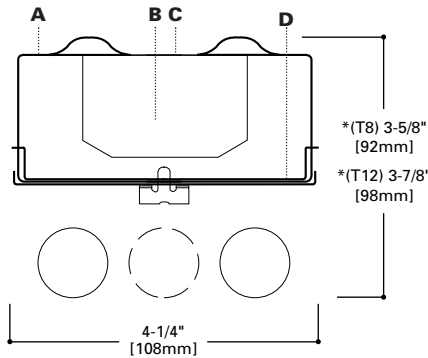
C...Finish Multistage iron phosphate pre-treatment ensures maximum bonding and rust inhibitor. Lighting upgrade, baked white enamel finish.

D...Channel/Wireway Cover Die formed heavy gauge steel. Tight fit for ease of maintenance. Easily removed without use of tools. Optional reflector available incorporating silver technology enhancements. (Silver Lining) Consult Pre Sales Technical Support.

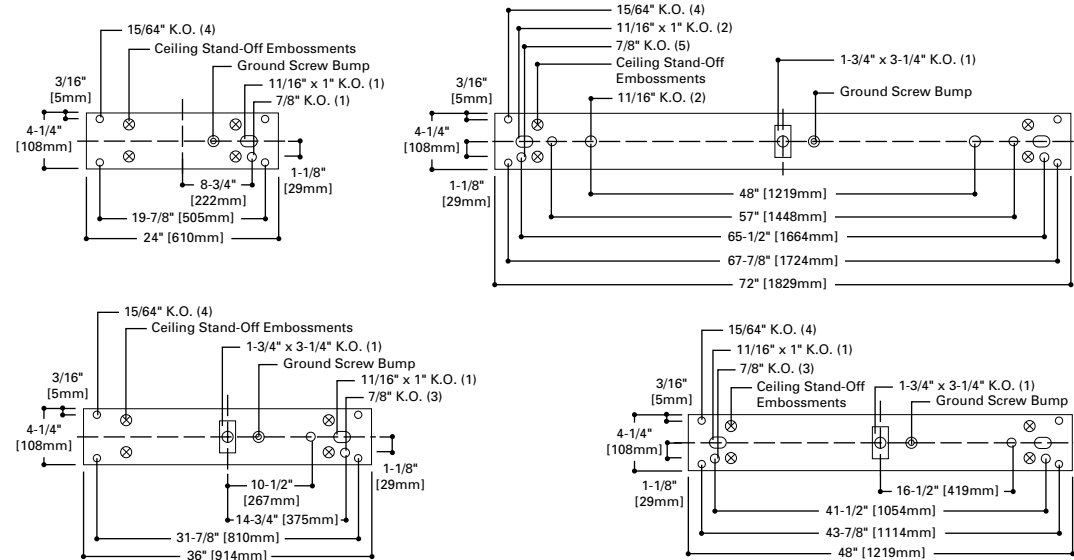


- SS120
117
140
132
220
217
230
225
240
232

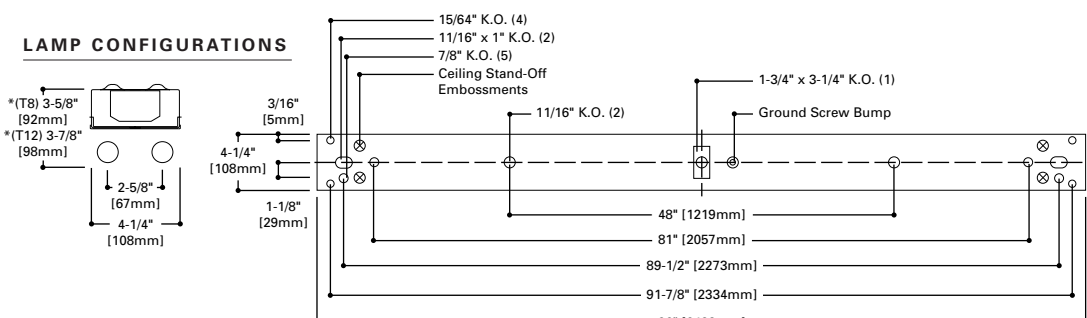
2' STRIP
1 OR 2 LAMP LTS OR HTS
3' OR 4' STRIP
1 OR 2 LAMP
Standard Striplight



MOUNTING DATA



LAMP CONFIGURATIONS



ENERGY DATA

Input Watts:
EB Ballast & STD Lamps
117 (20), 217 (36)
130 (50), 125 (37)
140 (38), 132 (30)
230 (60), 225 (47)
240 (72), 232 (61)

ES Ballast & STD Lamps
125 (33)
140 (38), 132 (30)
117 (23), 217 (45)
230 (74), 225 (65)
240 (86), 232 (71)

STD Ballast & STD Lamps
120 (32), 220 (58)

Luminaire Efficacy Rating
LER = FS-88
Catalog Number: SS-232

Yearly Cost of 1000 lumens,
3000 hrs at .08 KWH = \$2.73

(*Reference the lamp/ballast data in the Technical Section for specific lamp/ballast requirements.)



