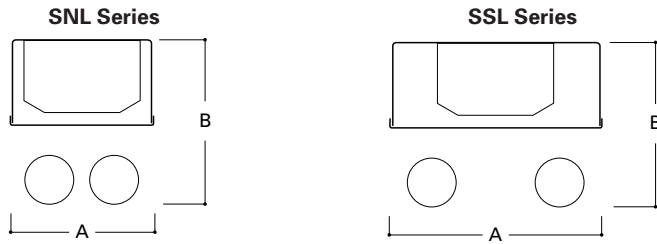


## DIMENSIONS



NOMINAL LENGTH	A	B
(SNL) 2', 3', 4', 8'	2 3/4" (70mm)	3 5/8" (92mm)
(SSL) 2', 3', 4', 8'	4 1/4" (108mm)	3 3/8" (86mm)

One lamp version features a diagonal lamp orientation for uniform illumination of the indirect surface.

Two lamp version

## DESCRIPTION

The SNL and SSL Series are a functional and multi-purpose staggered strip family that incorporates premium performance and construction durability. These energy efficient, staggered strips can be surface or pendant mounted individually or in rows using various mounting methods. The strips provide 4" lamp overlap to produce shadow-free illumination when used in continuous row. Numerous options and accessories are available for use with the series. The strips are perfect for coves, showcases and displays. The SNL Series is an excellent choice for size restrictive applications.



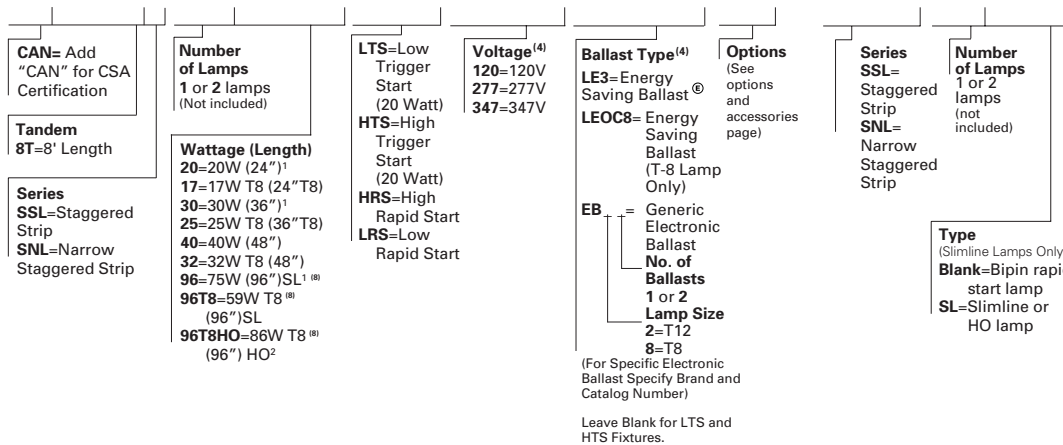
## SNLSERIES SSLSERIES

2', 3', 4' or 8' Strip  
1 or 2 Lamps

**ORDERING INFORMATION:** NOTE: Two SSL-1, SNL-1 or SSL-2, SNL-2 Starter Kits required per row. One Starter Kit: provided with each fixture<sup>(9)</sup>

SAMPLE NUMBER: SSL-232

ADDITIONAL STARTER KITS<sup>(3)</sup>  
SAMPLE NUMBER: SSL-2



- Equipped with energy saving ballast/complies with federal energy efficiency standards
- For shadow free continuous illumination in cove lighting applications
- Pressure lock lampholders
- Die formed channel
- Can be surface or pendant mounted, individual or in rows
- Baked white enamel finish
- Easy wireway access/wireway cover removed without tools
- Numerous KO's for easy installation
- Luminaire Efficacy Rating LER=FS-76  
Catalog Number: SSL-232EB81
- U.L. Listed, CSA Certification Available

## PRODUCT INFORMATION

Catalog Number	Lamp Type	Nominal Size	Shipping Wt.
SNL-117	1F17	2'	7 lbs. (3.2kg)
SNL-125	1F25	3'	9 lbs. (4.1kg)
SNL-132	1F32	4'	10 lbs. (4.5kg)
8TSNL-132	2F32	8'	20 lbs. (9.0kg)
SNL-196T8	1F96T8	8'	24 lbs. (10.8kg)
SNL-196T8HO	1F96T8HO	8'	24 lbs. (10.8 kg)
SNL-217	2F17	2'	7 lbs. (3.2kg)
SNL-225	2F25	3'	9 lbs. (4.1kg)
SNL-232	2F32	4'	7 lbs. (3.2kg)
8TSNL-232	4F32	8'	20 lbs. (9.0kg)
SNL-296T8	2F96T8	8'	24 lbs. (10.8kg)
SNL-296T8HO	2F96T8HO	8'	24 lbs. (10.8kg)
SSL-117	1F17	2'	7 lbs. (3.2kg)
SSL-125	1F25	3'	9 lbs. (4.1kg)
SSL-132	1F32	4'	10 lbs. (4.5kg)
8TSSL-132	2F32	8'	20 lbs. (9.0kg)
SSL-196T8	1F96T8	8'	24 lbs. (10.8kg)
SSL-196T8HO	1F96T8HO	8'	24 lbs. (10.8kg)
SSL-217	2F17	2'	7 lbs. (3.2kg)
SSL-225	2F25	3'	9 lbs. (4.1kg)
SSL-232	2F32	4'	7 lbs. (3.2kg)
8TSSL-232	4F32	8'	20 lbs. (9.0kg)
SSL-296T8	2F96T8	8'	24 lbs. (10.8kg)
SSL-296T8HO	2F96T8HO	8'	24 lbs. (10.8kg)

NOTES: <sup>(1)</sup> Standard ballast non-LE3. <sup>(2)</sup> 96" high output available in T8 only. <sup>(3)</sup> Sufficient starter kits are provided with each fixture for multiple fixture rows. If rows consist of only one fixture, an additional row starter kit must also be ordered. <sup>(4)</sup> Products also available in non-US voltages and frequencies for international markets. <sup>(5)</sup> For complete product data, reference the Fluorescent Specification binder. <sup>(6)</sup> Specifications & dimensions subject to change without notice. <sup>(7)</sup> Consult your Cooper Lighting Representative for availability and ordering information. <sup>(8)</sup> 96 not available for SNL.