

DESCRIPTION

The MML Series sculptured and compact appearance makes it perfect for quality interior applications. The self-contained, feature rich design packs a powerful punch with its super-bright halogen lamp and precision optics. The integral mounting plate makes installation fast and easy.

SPECIFICATION FEATURES

Electronic

Dual-Voltage Input 120/277 VAC, 60 Hz
Line-Latching
Low-Voltage Disconnect
Test Switch
AC Power Indicator

Housing Construction

Injection-Molded, High-Impact, Thermoplastic Cover, Rated UL 94-5VA
Designer-White Textured Finish
Integral Mounting Plate

Battery

Sealed Pure Lead
Maintenance Free, Long Life
Full Recharge Time, 24hrs. (max.)

Code Compliance

UL 924
Life Safety NFPA 101
NEC/OSHA
Most State and Local Codes

Warranty

Unit – 1 year
Battery – 5 year Pro Rata

Head/Lamp Data

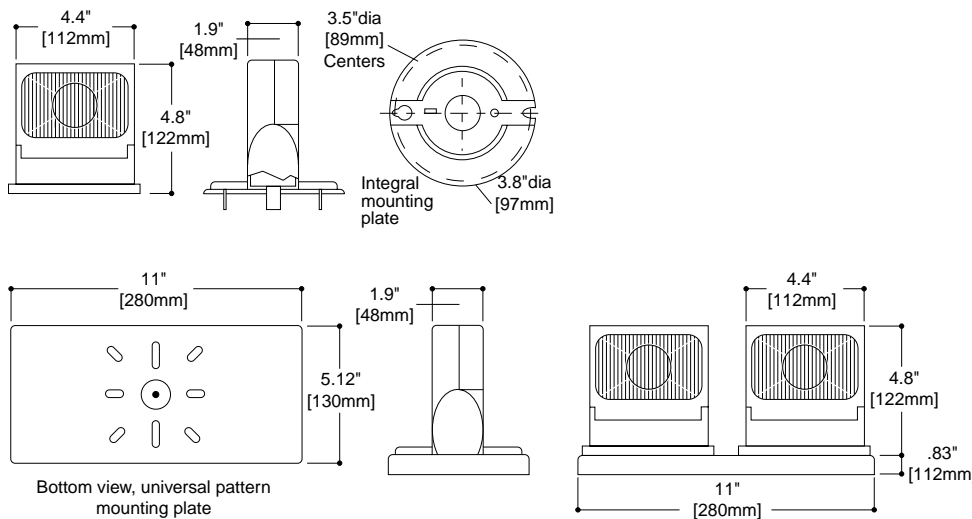
Glare Free Lens
Fully Adjustable
High-Impact, Thermoplastic Halogen Lamps



MMLSERIES

SEALED LEAD BATTERY

Emergency Lighting



ELECTRICAL RATINGS

Rated Wattage to 87 1/2 % of Rated D.C. Voltage

Model	DC Voltage	1 1/2 Hours
MML1	4	4.8
MML2	4	9.6

Lamp Information

Type	Wattage	Number
Tungsten Halogen	4.8W	L010777
Tungsten Halogen	4.8W ea	L010777

ORDERING INFORMATION

SAMPLE NUMBER: MML1

MML	Accessories (order separately)
<p>Model Number MML1 MML2</p>	<p>VS1 = Polycarbonate Vandal Shield WG-8 = Wire Guard MML1 WG-9 = Wire Guard MML2</p>

TOTALLY PREDICTABLE
RELIABILITY

ENERGY DATA

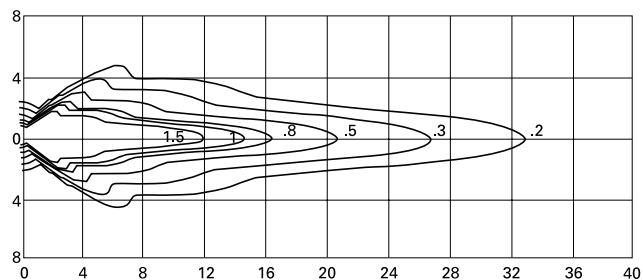
Input Current (Max.)

MML1
120V = .037A
277V = .019A

MML2
120V = .074A
277V = .038A

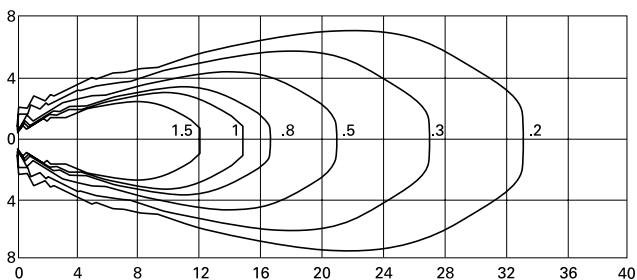
PHOTOMETRICS

Horizontal Distribution



Lamp No. L010777
Initial Lumens = @ 56

Vertical Distribution



TECHNICAL DATA

Head

Self Powered. Circuitry, batteries, lamp and reflector are contained within. Constructed of a flame retardant, impact resistant, injection molded thermoplastic. Fully adjustable with 355° rotation and 120° swivel.

Lamp

Designed specifically for emergency lighting applications. Bi-pin halogen type, 4V, covered by an impact resistant lens.

Line-Latched

Sure-Lites' line-latched electronic circuitry makes installation easy and economical. A labor efficient AC-activated load switch prevents battery discharge during installation to a non-energized circuit. Line-latching eliminates the need for a contractor's return to a job site to reconnect the batteries when the building's main power is permanently turned on.

Solid-State Charger

Supplied with a 120/277 VAC, voltage regulated solid-state charger. Immediately upon restoration of AC current after a power failure, the charger provides a high charge rate. The charge circuit reacts to the condition of the battery and alters the rate of charge in order to maintain peak battery capacity and maximize battery life. Solid-state construction recharges the battery following a power failure in accordance with UL924.

Low Voltage Disconnect

When the battery's terminal voltage falls below 80% of the rated voltage, the low voltage circuitry will instantaneously disconnect the lighting load. The disconnect remains in effect until normal utility power is restored, preventing deep battery discharge.

Test Switch/Power Indicator

Conveniently located Test Switch allows for manual verification of proper operation of the transfer circuit and emergency lamps. The Power Indicator Light provides visual assurance that the AC power is on.

Sealed Pure Lead Battery

The fully sealed, long life, maintenance free pure lead battery is ideal for emergency lighting applications. These recombinant cycle batteries typically provide eight to ten years of life and may be operated in any position.

Warranty

All Sure-Lites' units are backed by a firm one year warranty against defect in material and workmanship (excluding lamps). Rechargeable, long life, pure lead batteries carry a five-year pro-rata warranty.