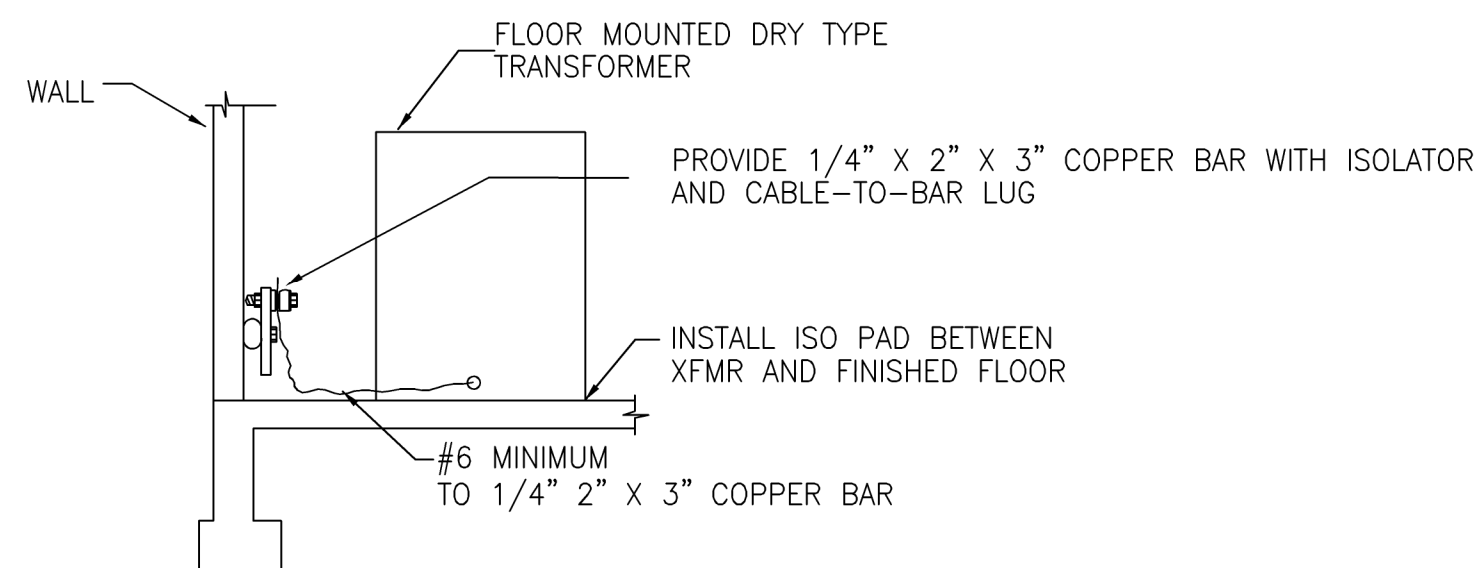


LIGHTPOLE BASE DETAIL

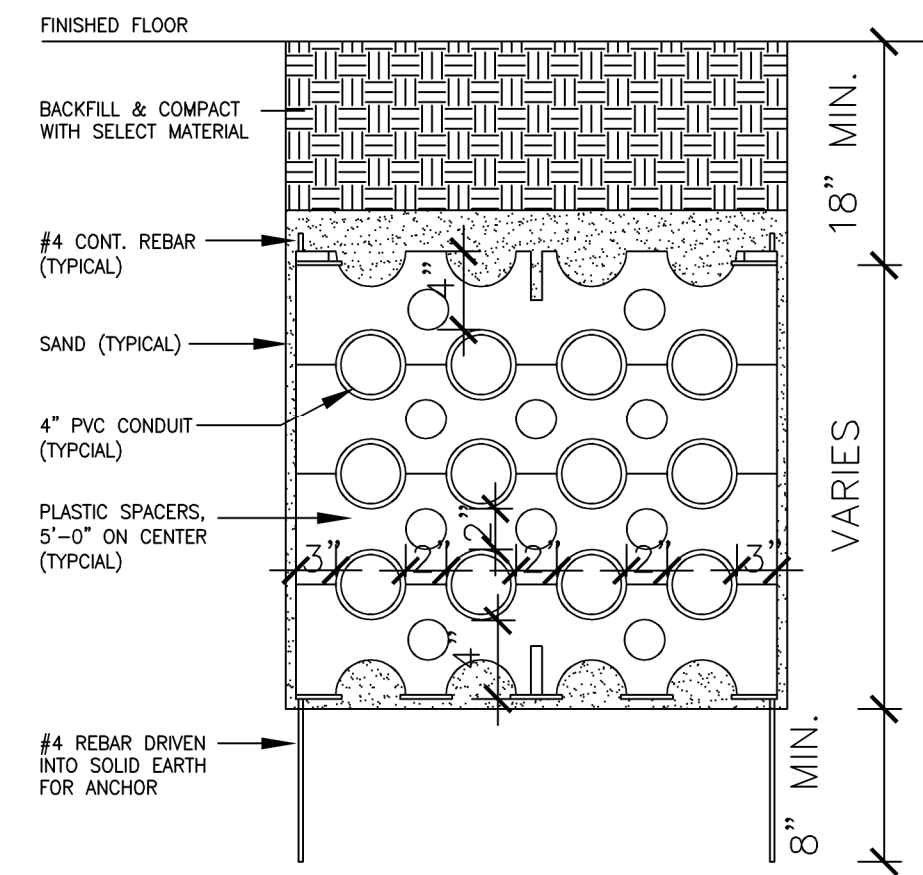
NOT TO SCALE



TRANSFORMER SHALL BE GROUNDED IN ACCORDANCE WITH NEC, SEPERATELY DERIVED SYSTEMS. FOR GROUNDING ELECTRODE CONDUCTOR SIZE:

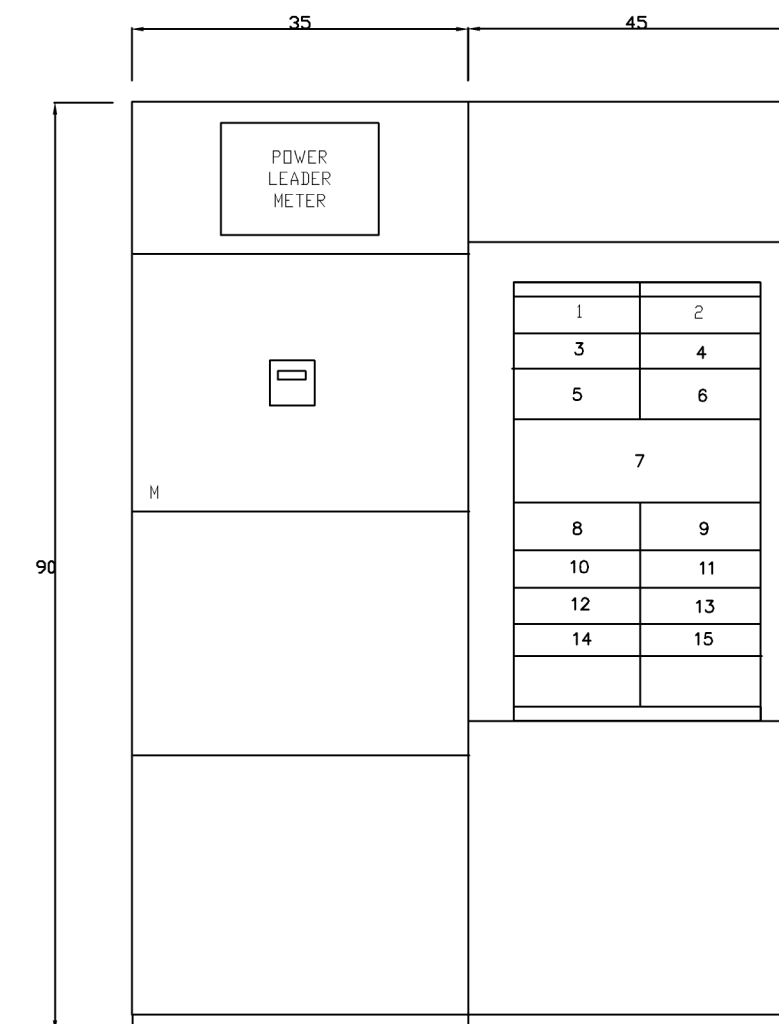
TRANSFORMER GROUNDING DETAIL

NOT TO SCALE



DUCTBANK DETAIL

NOT TO SCALE



SWITCHBOARD DETAIL N.T.S.

1000A 277/ 480V 3PH., 4W 42,000 AIC

ELECTRICAL - DETAILS
NO SCALE